



EO-355-G/4~150uJ

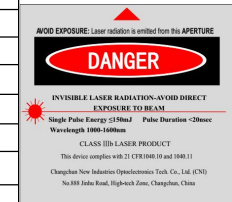
HIGH ENERGY DIODE PUMPED ALL-SOLID-STATE Q-SWITCHED LASER

High energy diode pumped all solid state Q-switched laser at 355nm has the features of high single pulse energy, short pulse duration, and high peak power, which is widely used in scientific research, biology, instrumentation, 3D marking, laser marking, sub-surface engraving and so on.

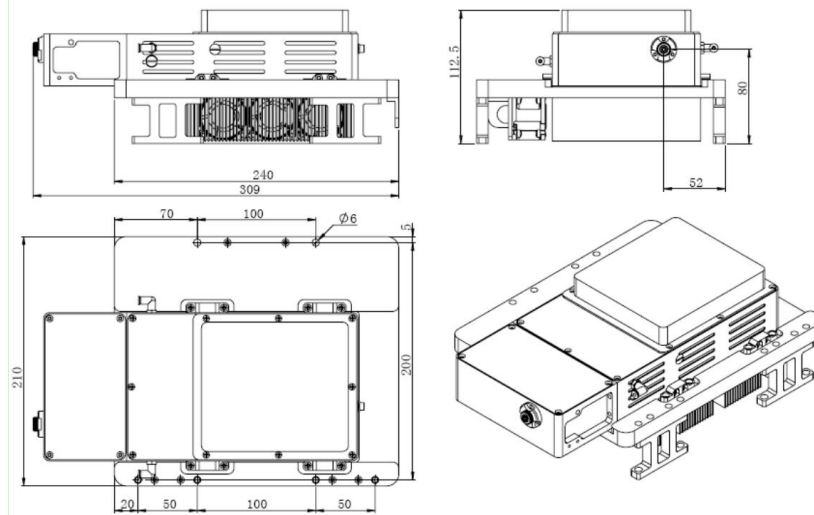


SPECIFICATIONS

Wavelength (nm)	355±1		
Operating mode	Q-switched: EO (Electro-optic)		
Single pulse energy (uJ)	150@1KHz	150@5KHz	4@25KHz
Pulse duration (ns)	<6@1KHz	<6@5KHz	<13@25KHz
Rep. rate (kHz)	1Hz~1kHz	1k~7kHz	1k~25kHz
Power stability (rms)	<3%, <2%		
Pointing stability (urad, std)	<20		
Beam divergence, full angle (mrad)	<3		
Beam diameter (mm)	~1		
Beam height from base plate (mm)	80		
Warm-up time (minutes)	<15		
Cooled method	Air cooled		
Operating temperature (°C)	15~30		
Power supply (DC 24V)	PSU-EO-G		
Warranty period	1 year		
Options	Higher energy can be customized; Higher frequency can be customized		

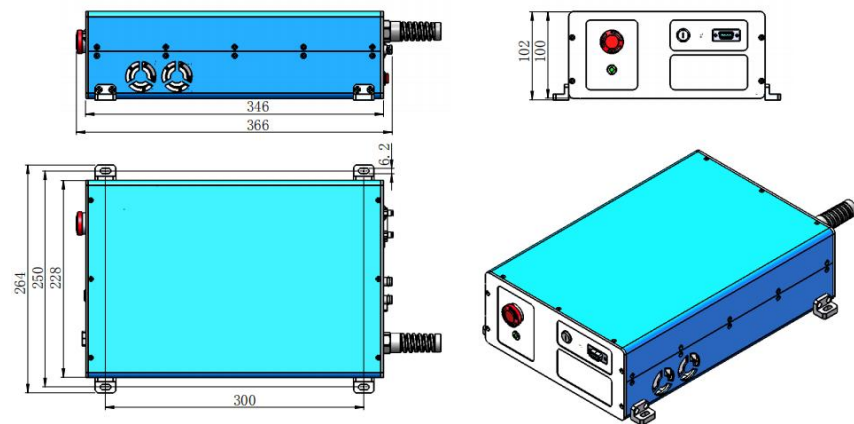


EO-355-G



309(L)×210(W)×112.5(H)mm³ 6.1kg

PSU-EO-G(DC 24V)



366(L)×264(W)×102(H)mm³ 6.5kg