

FC-W-444C/ 20~30W

BLUE DIODE LASER AT 444nm

Blue diode laser 444 nm is made features of ultra compact, long lifetime, low cost and easy operating. It's easy to be installed in customer's equipment.

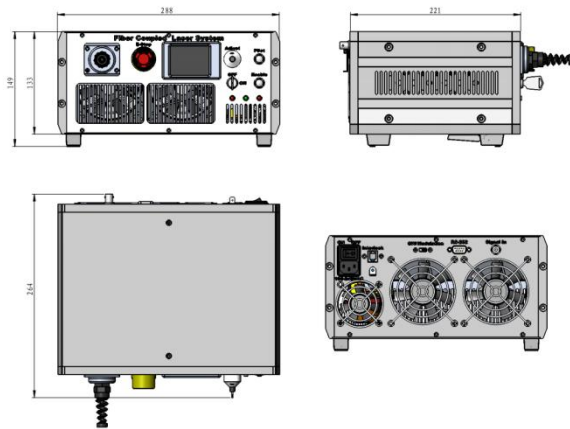


SPECIFICATIONS

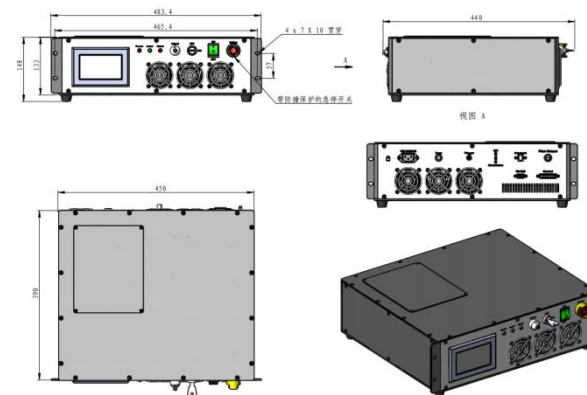
Wavelength (nm)	444±1
Operating mode	CW
Output power (W) @ after 400um fiber	20~30 (Higher power can be customized.)
Cooled method	Air cooled
Fiber Core Diameter (um)	400, 600...
Fiber Connector	SMA905/ FC
Numerical Aperture (NA)	0.22
Power stability (rms, over 4 hours)	<1%, <3%...
Warm-up time (minutes)	<5
Operating temperature (°C)	25+/- 3
Power supply	90-264VAC
Modulation option	TTL/ Analog 1Hz-30KHz, TTL on/ off
Expected lifetime (hours)	10000



FC-W-444C (Air cooled)



288 (L)×264 (W)×149 (H)mm³,



483.4 (L)×440 (W)×148 (H)mm³,