



FL-1064-PS/1~2000mW

SPECIFICATIONS

PICOSECOND ALL FIBER PULSED LASER

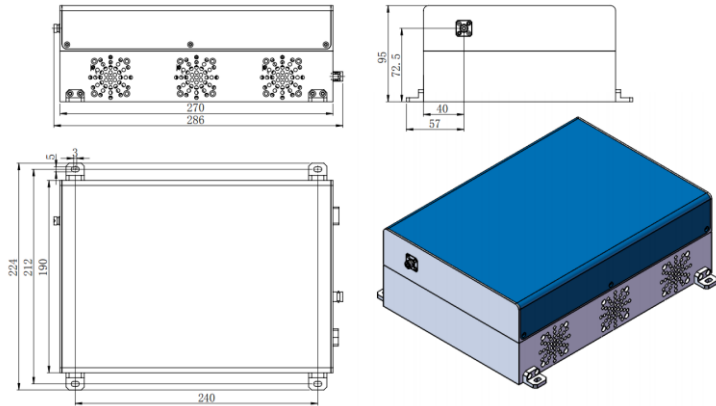
Picosecond all fiber pulsed laser at 1064nm with SESAM technique is made features of high output power stability, good beam profile, ultra compact, long lifetime, cost-effectiveness and easy operating, which is widely used in laser radar, precision marking, precision drilling, life science, precision etching, microelectronics, scientific research, etc.



Wavelength (nm)	1064±1				
Operating mode	Passive mode-locked				
Output power (mW)	1	20	100	1000	2000
Power stability (rms, over 4 hours)	<1%, <3%			<0.5%, <1%, <3%	
Pulse width (ps)	<2, <10				
M ² factor	<1.2			<1.5	
Repetition frequency (MHz)	One fixed value between (20-60) ±1 MHz				
Polarization ratio	Random / > 15dB				
Warm-up time (minutes)	<15				
Delivery cable length (m)	variable				
Operating temperature (°C)	15~35				
Power supply	12V DC				
Expected lifetime (hours)	10000				
Warranty	1 year				



FL-1064-PS



286(L)×190(W)×95(H) mm³ 2.5kg

