



FL-1064-S/1uW~500mW

SPECIFICATIONS

ALL FIBER PULSED LASER

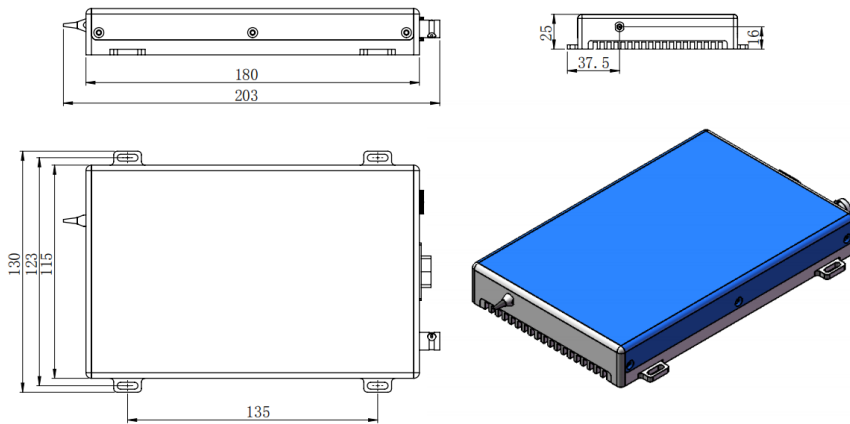
High frequency all fiber pulsed laser at 1064nm is made features of high peak power stability, good beam profile, ultra compact, long lifetime, low cost and easy operating, which is widely used in laser radar, life science, microelectronics, gas detection, scientific research, optical simulation, etc.



Wavelength (nm)	1064 ±1
Operating mode	Pulsed
Peak power (mW)	1uW~500mW
Power stability (rms, over 4 hours)	<1% , <3%
Pulse width(ns)	5ns-100ns (adjustable)
M ² factor	<1.2
Repetition frequency(Hz)	1Hz-100KHz, 1Hz-10MHz(adjustable)
Polarization ratio	Random/>15dB
Warm-up time (minutes)	<1
Delivery cable length(m)	variable
Operating temperature (°C)	15~35
Power supply	12V DC
Expected lifetime (hours)	10000
Warranty	1 year

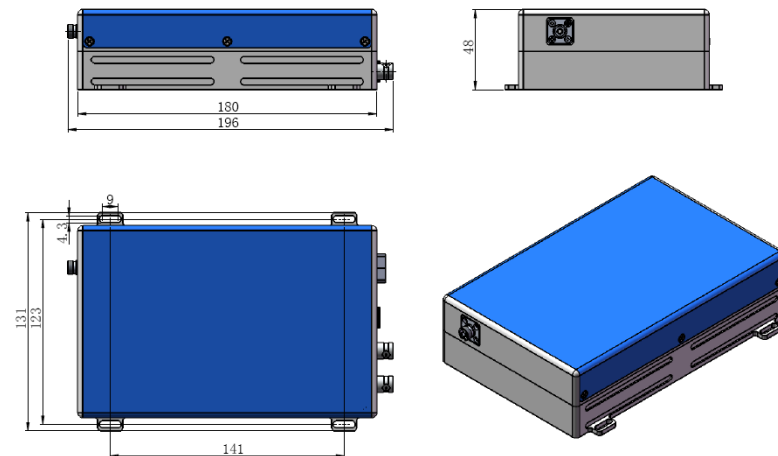


FL-1064-S-I (50mW~500mW)



203(L)×130(W) ×25(H) mm³, 1kg

FL-1064-S-II (1uW~500mW)



196(L)×131(W) ×48(H) mm³, 1.5kg