



FL-1064/1080-CW/1~20W

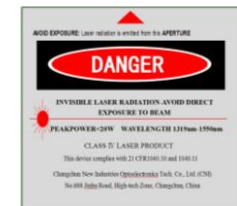
HIGH POWER ALL FIBER CW LASER

High Power all fiber CW laser at 1064nm is made features of ultra compact, long lifetime, low cost and easy operating, which is widely used in laser radar, life science, material processing, microelectronics, scientific research, etc.

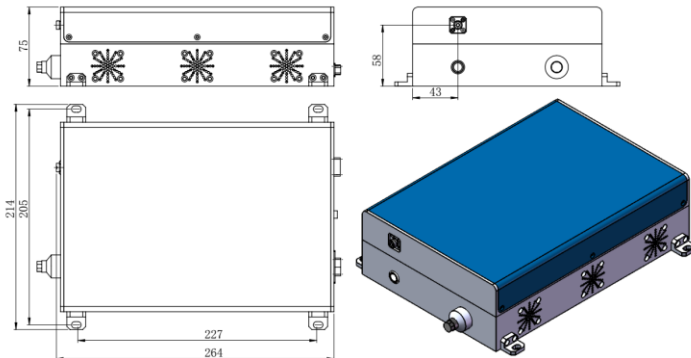


SPECIFICATIONS

Wavelength (nm)	1064±2	1080±2
Operating mode	CW or Modulated(≤50KHz)	
Output power (W)	1-20	
Power stability (rms, over 4 hours)	<1%, <3%	
Delivery Fiber Length (m)	2-5	
Output Fiber termination	Collimator	
Beam Diameter (mm)	4±1	
M ² factor	<1.5	
Polarization state	Random or >15dB	
Warm-up time (minutes)	<15	
Operating temperature (°C)	15~35	
Power supply	220V AC	
Expected lifetime (hours)	10000	
Warranty	1 year	



FL-1064/1080-CW



264(L)×214(W) ×75(H) mm³, 3 kg

