



FL-976-CW/3W

**HIGH POWER ALL FIBER CW LASER**

High Power all fiber CW laser at 976nm is made features of ultra compact, long lifetime, low cost and easy operating, which is widely used in Pump for mid-IR laser, laser cooling of atoms, optical lattice, seed for solid-state laser, etc.

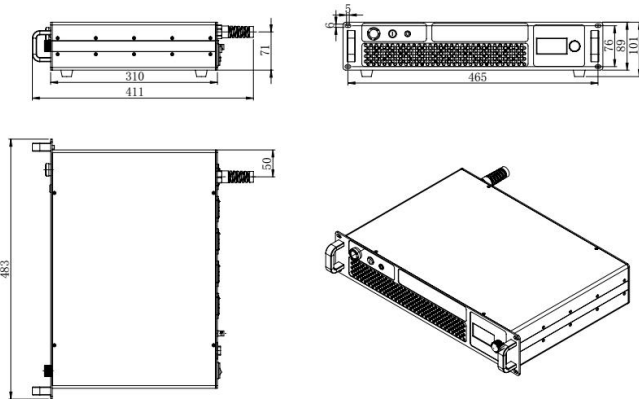


SPECIFICATIONS

Wavelength (nm)	976±1		
Operating mode	CW		
Output power (W)	1W	2W	3W
Power stability (rms, over 4 hours)	<2%, <3%		
Line width(nm)	<0.3nm		
M <sup>2</sup> factor	<1.2		
Output Fiber termination	FC/PC(single mode:10/125, fiber core diameter:10um) or Collimator(4~6mm)		
Polarization ratio	Random		
Warm-up time (minutes)	<15		
Delivery cable length (m)	variable		
Operating temperature (°C)	15~35		
Power supply	AC 220V		
Expected lifetime (hours)	10000		
Warranty	1 year		



FL-976-CW



411(L)×483(W)×107(H) mm<sup>3</sup>, 5kg

