



GLP-450/0.6-5mW

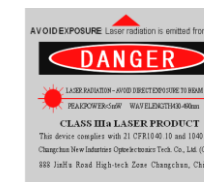
**BLUE LASER POINTER  
AT 450 nm**


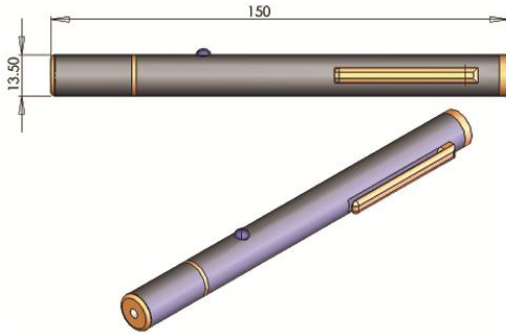

GLP-450 is the first blue laser pointer in the world. It is novel, unique and amazing.



**SPECIFICATIONS**

Wavelength (nm)	450±5		
Operating mode	CW		
Output power (mW)	0.6~1	1~3	3~5
Transverse mode	Near TEM00		
Beam diameter at the aperture (1/e <sup>2</sup> , mm)	~3.5		
Beam divergence, full angle (mrad)	<1.0		
Operating temperature (°C)	0~40		
Switch	Push button		
Surface color	Black		
Power Consumption	DC 3V		
Power supply	2×AAA 1.5V Alkaline batteries		
Expected lifetime (hours)	5000		
Warranty	6 months		



GLP-450	Dimensions	Accessory
 <p>Φ13.5×150(L) mm<sup>2</sup>, 0.055 kg</p>		 <p>2×AAA/1.5V batteries</p>