



GLP-635/1~5mW

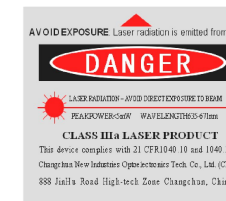
**RED LASER POINTER
AT 635nm**

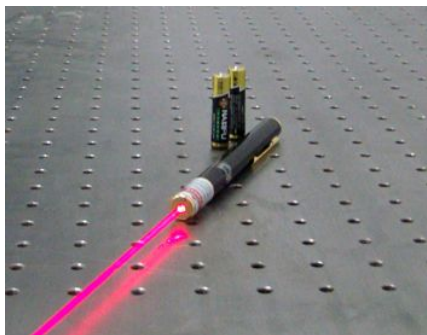
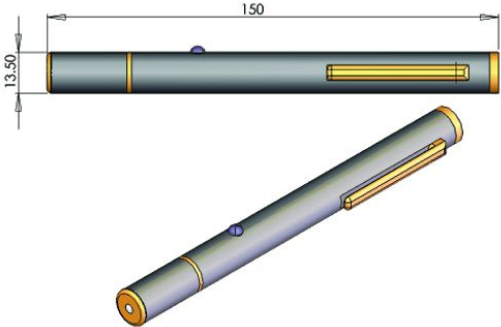

GLP-635 is noticeable and the red beam itself can be seen in mid-air in dark conditions, not just a laser beam dot. In addition, it is FDA approved.



SPECIFICATIONS

Wavelength (nm)	635±5
Operating mode	CW
Output power (mW)	> 1, 2, ... , 5
Transverse mode	Near TEM ₀₀
Beam diameter at the aperture (1/e ² , mm)	~3.5
Beam divergence, full angle (mrad)	<0.5
Working Temperature (°C)	0-40
Switch	Push button
Surface color	Black
Power Consumption	DC 3V
Power supply	2×AAA 1.5V Alkaline batteries
Expected lifetime (hours)	5000
Warranty	6 months
Remark	LED indicator, key switch and logo engraving are on your request.



GLP-635	Dimensions	Accessory
 <p>Φ13.5×140(L) mm³, 0.055 kg</p>		 <p>2×AAA/1.5V batteries</p>