

HPL-1064-CW/100~500W

**WATER COOLING HIGH POWER
LD PUMPED ALL-SOLID-STATE
LASER**

All solid state high power CW laser at 1064nm has the features of ultra compact, long lifetime, low cost and easy operating, which is used in scientific experiment, optical instrument, optical sensor, measurement, spectrum analysis, etc.

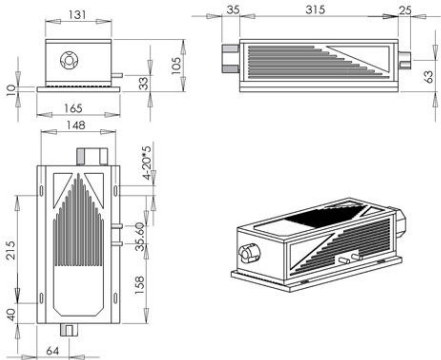


SPECIFICATIONS

Wavelength (nm)	1064±1
Operating mode	CW
Power (W)	100, 150, 200, 300, 400, 500
Ave power stability (over 4 hours)	<3%, <5%, <10%
Warm-up time (minutes)	<10
Beam divergence, full angle (mrad)	<3.5
Beam diameter at the aperture (mm)	~9.0
Beam height from base plate (mm)	65.0
Cooled method	Water Cooled
Operating temperature (°C)	15~35
Power supply (220/110VAC)	PSU-HPL-CW(2U)
Expected lifetime (hours)	10000
Warranty period	1 year
Pilot light (optional)	5mW @650nm



HPL-1064-CW



375 (L) ×165(W) ×105(H) mm³, 7.8kg

PSU-HPL-CW (2U)



423(L) ×255(W) ×87(H) mm³, 5.6kg

Water Chiller



474 (L) ×574(W) ×875(H) mm³, 71kg, 100-200W laser
504 (L) ×624(W) ×935(H) mm³, 95kg, 300-500W laser