

HPL-532-Q/ 20~30W

SPECIFICATIONS

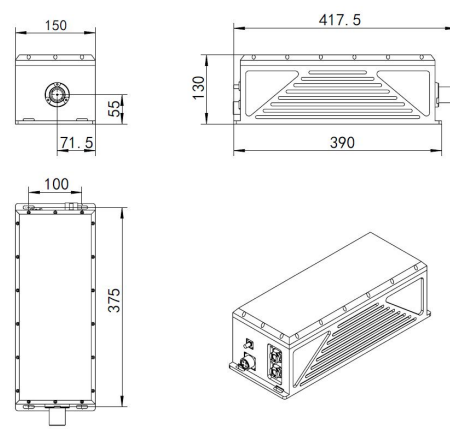
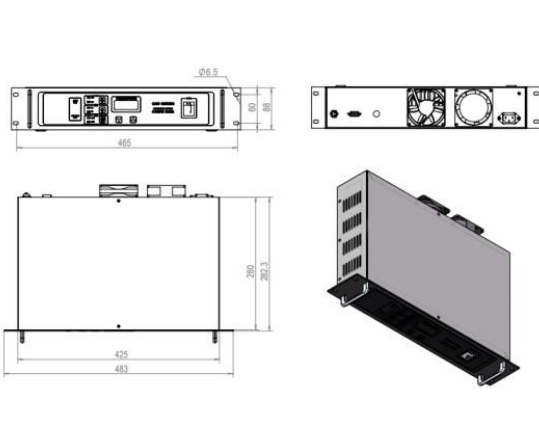
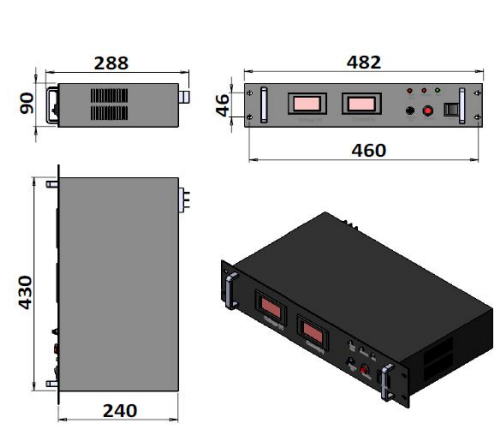
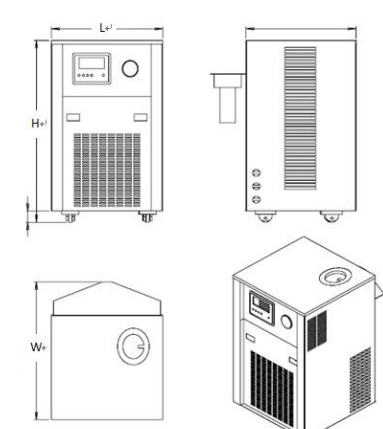
**WATER COOLING LD PUMPED  
ALL-SOLID-STATE Q-SWITCHED  
GREEN LASER at 532nm**

All solid state Q-switched green laser at 532nm has the features of high peak power, high repetition rate, and short pulse duration, which is widely used in marking, carving, measure, scientific research, and so on.



Wavelength (nm)	532±1	
Operating mode	Acousto-Optic Q-switched	
Average power (W)	20@10kHz	30@10kHz
Pulse duration (ns)	~100 @10kHz&30W	
Rep. rate (kHz)	10~20 (It is possible to customize other repetition rates )	
Single pulse energy (mJ)	2	3
Peak power (kW)	20 @10kHz&20W	30 @10kHz&40W
Ave power stability (over 4 hours)	<3% , <5%,	
Beam divergence, full angle (mrad)	<3.5	
Beam diameter at the aperture (mm)	<6	<9
Beam height from base plate (mm)	55	
Warm-up time (minutes)	<10	
Cooled method	Water Cooled	
Operating temperature (°C)	15~35	
Power supply (220V AC)	PSU-HPL-Q & PSU-HPL-CW	
Expected lifetime (hours)	10000	
Warranty period	1 year	



HPL-532-Q	PSU-HPL-Q	PSU-HPL-CW	Water Chiller (WCH-1600)
 <p>417.5 (L) × 150 (W) × 130 (H) mm<sup>3</sup>, 7.5kg</p>	 <p>282(L) × 483(W) × 88(H) mm<sup>3</sup>, 7.5kg</p>	 <p>288(L) × 482(W) × 90(H) mm<sup>3</sup>, 5.5kg</p>	 <p>435 (L) × 560 (W) × 760 (H) mm<sup>3</sup>, 60kg</p>