

Typical Performance (25°C)

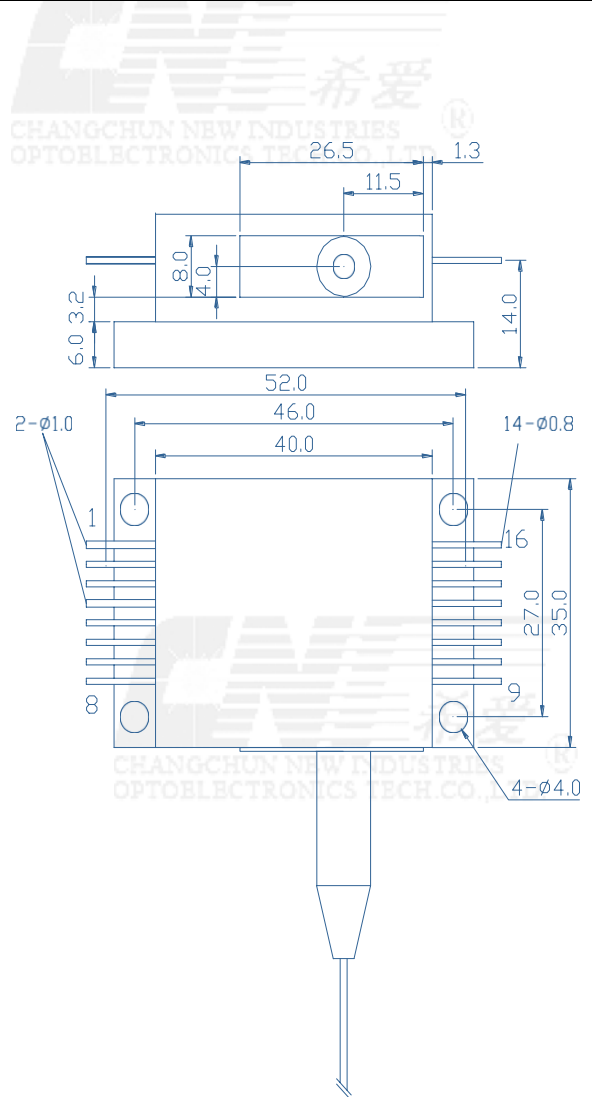
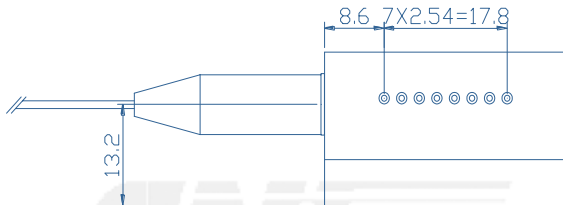
	Symbol	Typical	Unit
Optical			
CW Out Power	Pop	4	W
Center Wavelength	λ	1064±10	nm
Spectral Width (90% of Power)	$\Delta\lambda$	6	nm
Wavelength Shift width Temperature	$\Delta\lambda/\Delta T$	0.3	nm/°C
Electrical			
Threshold Current	I _{th}	0.35	A
Operating Current	I _{op}	3.7	A
Operating Voltage	V _{op}	3.6	V
Slope Efficiency	η_{es}	1.6	W/A
Power Conversion Efficiency	η_{ep}	38	%
Indicates a beam of light			
Out Power	P _{pb}	>2	mW
Center Wavelength	λ_{pb}	650±10	nm
Operating Current	I _{pb}	<30	mA
Operating Voltage	V _{pb}	~2.2	V
Fiber			
Fiber Core Diameter	d _{core}	105	μm
Fiber Cladding Diameter	d _{clad}	125	μm
Coating Diameter	d _{buffer}	250	μm
Numerical Aperture	NA	0.22	-
Fiber Length	L ^f	1	m
Connector	-	SMA905	-

*Indicator light: Can provide the selection of the internal constant power output control circuit, only need to provide the external 5V constant voltage source to drive the indicator light.

Other Parameter

	Min	Max	Unit
Operating Temperature	10	40	°C
Relative working humidity	-	75	%
Storage temperature	-20	80	°C
Relative storage temperature	-	90	%
Pin welding temperature, Max. 10m	-	250	°C

External dimension (mm)



Pins and Functions			
Pins	Function	Pin	Function
1	Laser(-)	9	
2	—	10	
3	—	11	
4	Laser(+)	12	
5	—	13	
6	Indicator(-)	14	
7	Indicator(+)	15	Thermistor
8	—	16	Thermistor

◆ CONTACT

No.888, Jinhu Road, High-tech zone,
Changchun 130103, China

Phone: 0086-431-87033597

Fax: 0086-431-87033597