

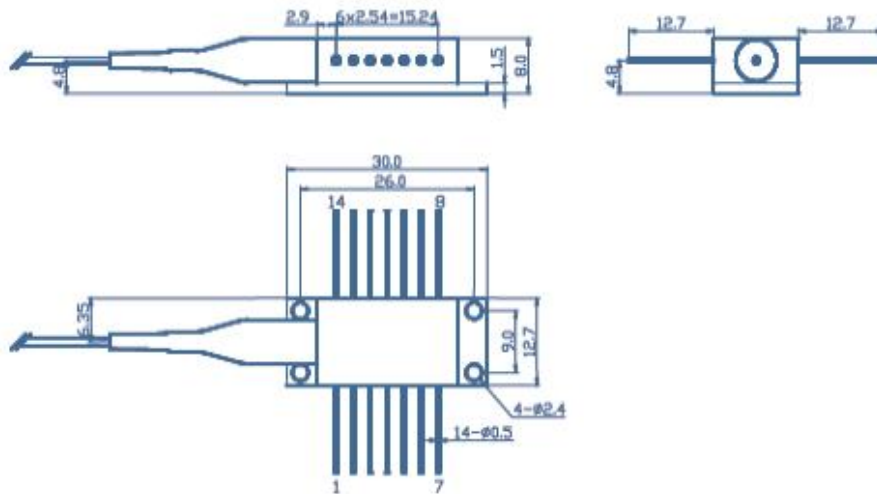
Characteristics
Output Power 600mW
785±0.5nm wavelength locked
Fiber Coupling 105µm
Fiber Core Dia. 0.22NA

Parameter		Symbol	Typical	Unit
Optical	CW Out Power	P_{op}	600	mW
	Center Wavelength	λ	785±0.5	nm
	Spectral Width (90% of Power)	$\Delta\lambda$	<1.0	nm
	Wavelength Shift width Temperature	$\Delta\lambda/\Delta T$	0.30	nm / °C
Electrical	Threshold Current	I_{th}	0.7	A
	Operating current	I_{op}	1.5	A
	Operating Voltage	V_{op}	2.0	V
	Slop Efficiency	η_{es}	1.25	W / A
Fiber	Fiber Core Diameter	d_{core}	105	µm
	Fiber Cladding Diameter	d_{clad}	125	µm
	Fiber Buffer Diameter	d_{buffer}	250	µm
	Numerical Aperture	NA	0.22	-
	Fiber Connector	-	SMA905	-

Other Parameters

Parameter	Operating Temperature/°C	Operating Relative Humidity/%	Storage Temperature/°C	Storage Relative Humidity/%	Lead Soldering Temperature, 10s max/°C
Min	10	-	-20	-	-
Max	40	75	80	90	250

Package Dimensions (mm)



Pins and Functions			
Pin	Function	Pin	Function
1	TEC(+)	8	-
2	Thermistor	9	Laser(-)
3	PD(P)	10	Laser(+)
4	PD(N)	11	Laser(-)
5	Thermistor	12	-
6	-	13	Case
7	-	14	TEC(-)



Changchun New Industries Optoelectronics Tech. Co., Ltd
<http://www.cnilaser.com>

◆ CONTACT

No.888, Jinhu Road, High-tech zone, Changchun
 130103, China

Phone: 0086-431-87033597

Fax: 0086-431-87033597

