



# LDM-878.6-30

## Typical Device Performance (25°C)

Optical	Unit	Typical Value
CW Output Power	W	30
Center Wavelength	nm	878.6±0.5
Spectral Width (90% of Power)	nm	<0.5
Wavelength Shift with Temperature	nm / °C	0.02
Wavelength Shift with Current	nm / A	0.05
Feedback Protection (1030-1100nm)	dB	>40
Electrical		
Threshold Current	A	1.0
Operating Current	A	9.5
Operating Voltage	V	9.0
Slope Efficiency	W / A	3.5
Power Conversion Efficiency	%	45
Fiber*		
Fiber Core Diameter	μm	400
Fiber Cladding Diameter	μm	440
Fiber Buffer Diameter	μm	700
Numerical Aperture	-	0.22
Fiber Length	m	1.0
Fiber optic connector	-	SMA905

\* Customized fiber and connector available.

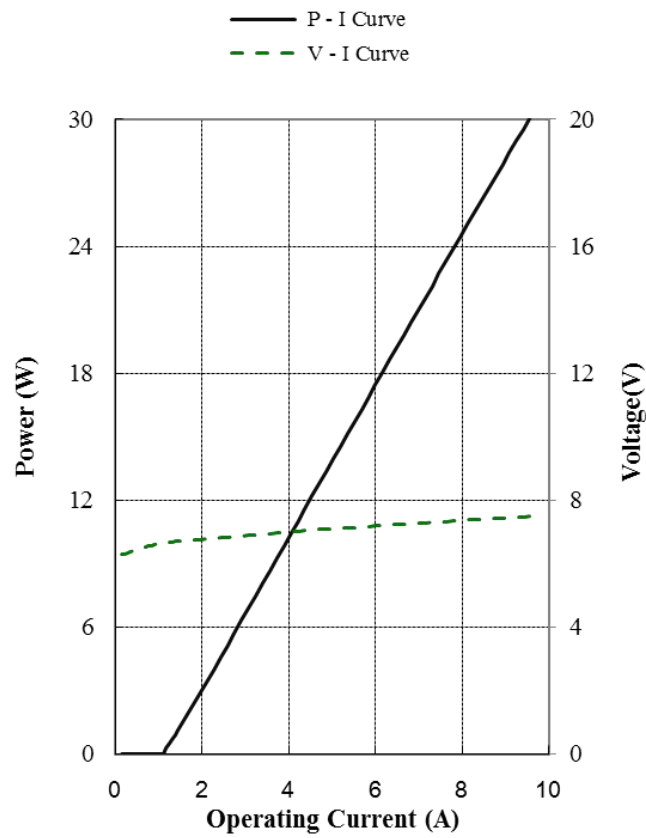
## Absolute Ratings

	Unit	Min	Max
Operating Temperature	°C	10	40
Operating Relative Humidity	%	-	75
Storage Temperature	°C	-20	80
Storage Relative Humidity	%	-	90
Lead Soldering Temperature, 10 s max	°C	-	250

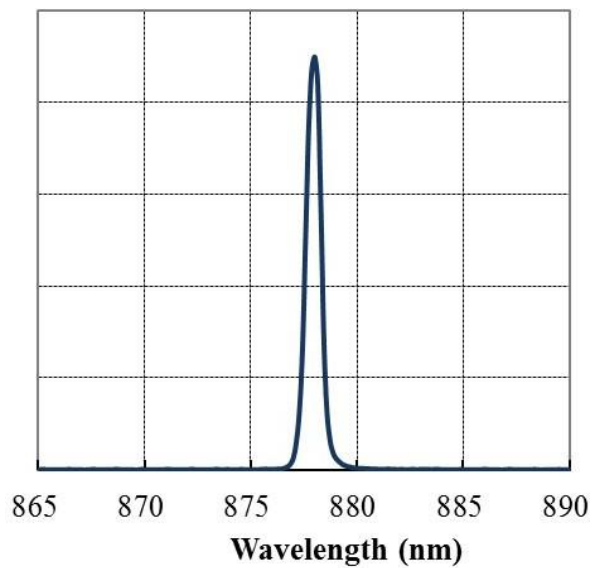
Addr: No.888 Jinhua Road High-tech Zone, Changchun 130103, P.R.China

Contact: sales@cnlaser.com International Tel: +86-431-85603799 Fax: +86-431-87020258

## Characteristics of 878.6nm-30W laser diode module (25°C)



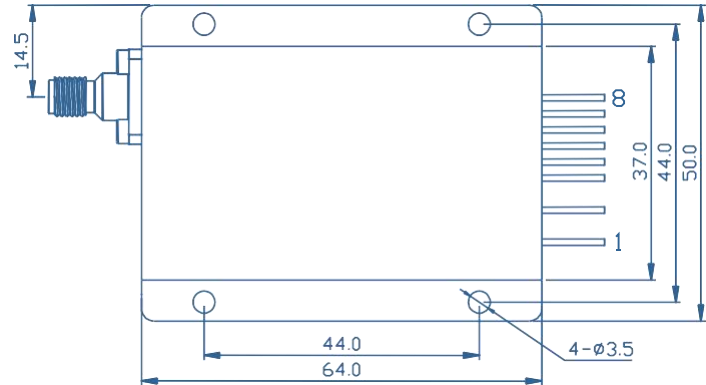
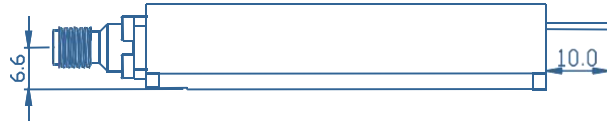
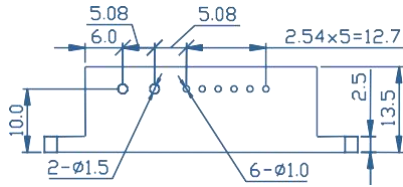
## Typical spectrum of 878.6nm-30W laser diode module (25°C)



Addr: No.888 Jinhua Road High-tech Zone, Changchun 130103, P.R.China

Contact: sales@cnlaser.com International Tel: +86-431-85603799 Fax: +86-431-87020258

## Package Dimensions (mm)



Pin-Out	Assignment
Pin	Function
1	LD (+)
2	LD (-)
3	PD (N)
4	PD (P)
5	Thermistor
6	Thermistor
7	-
8	-



Addr: No.888 Jinhua Road High-tech Zone, Changchun 130103, P.R.China

Contact: sales@cnilaser.com International Tel: +86-431-85603799 Fax: +86-431-87020258