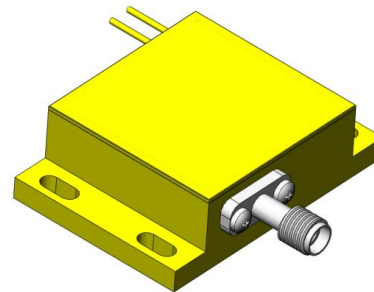


## ■ Features

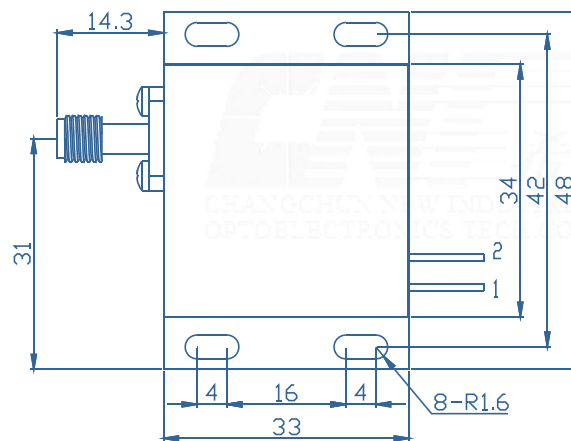
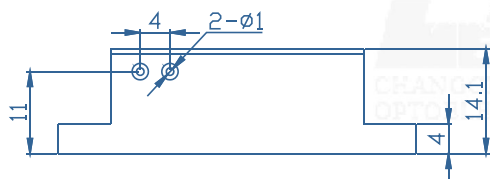
- ◆ High output power of 40W
- ◆ 200 $\mu$ m/0.22NA multimode optical fiber
- ◆ Center wavelength 878.6 $\pm$ 0.5nm

## ■ Applications

- ◆ Fiber laser pumping
- ◆ Direct diode laser applications



## Outline Dimension (mm)



### Pin-out Assignment

Pin	Function
1	LD (+)
2	LD (-)

## Typical Device Performance (25°C)

	Min	Typical	Max	Unit
<b>Optical</b>				
CW Output Power	-	40	-	W
Center Wavelength	-	878.6±0.5	-	nm
Spectral Width (FWHM)	-	<0.5	-	nm
Wavelength Shift with Temperature	-	0.02	-	nm / °C
Wavelength Shift with Current	-	0.05	-	nm / A
Feedback Protection (1030-1100nm)	-	>40	-	dB
Power within 0.18 NA	-	>95%	-	-
<b>Electrical</b>				
Threshold Current	-	1.5	-	A
Operating Current	-	11.8	13.0	A
Operating Voltage	-	7.0	8.0	V
Slope Efficiency	-	3.9	-	W / A
Power Conversion Efficiency	43	48	-	%
<b>Fiber*</b>				
Fiber Core Diameter	-	200	-	μm
Fiber Cladding Diameter	-	220	-	μm
Fiber Buffer Diameter	-	500	-	μm
Numerical Aperture	-	0.22	-	-
Fiber Length	-	1-5	-	m
Fiber Connector	-	SMA905	-	-

\* Customized fiber and connector available.

## Absolute Ratings

	Min	Max	Unit
Operating Temperature	15	35	°C
Operating Relative Humidity	-	75	%
Cooling Mode	-	Water cooling (25°C)	-
Storage Temperature	-20	80	°C
Storage Relative Humidity	-	90	%
Lead Soldering Temperature (10 s max)	-	250	°C

\* Measuring specifications.

All figures in this specification are measured by CNI's method and may contain measurement deviations.

**The above specifications are for reference purpose only and subjected to change without prior notice.**



**Changchun New Industries Optoelectronics Tech. Co., Ltd**  
<http://www.cnilaser.com>

◆ CONTACT

No.888, JinHu Road, High-tech zone, Changchun  
130103, R.P. China

Phone: 0086-431-85603799

Fax: 0086-431-87020258