



LDM-976-20

Typical Device Performance (25°C)

Optical	Unit	Typical Value
CW Output Power	W	20
Center Wavelength	nm	976±0.5
Spectral Width (90% of Power)	nm	<0.5
Wavelength Shift with Temperature	nm / °C	0.02
Wavelength Shift with Current	nm / A	0.05
Feedback Protection (1030-1100nm)	dB	>40
Electrical		
Threshold Current	A	0.5
Operating Current	A	8.5
Operating Voltage	V	5.0
Slope Efficiency	W / A	2.5
Power Conversion Efficiency	%	48
Fiber		
Fiber Core Diameter	μm	105
Fiber Cladding Diameter	μm	125
Fiber Buffer Diameter	μm	250
Numerical Aperture	-	0.22
Fiber Length	m	1.0

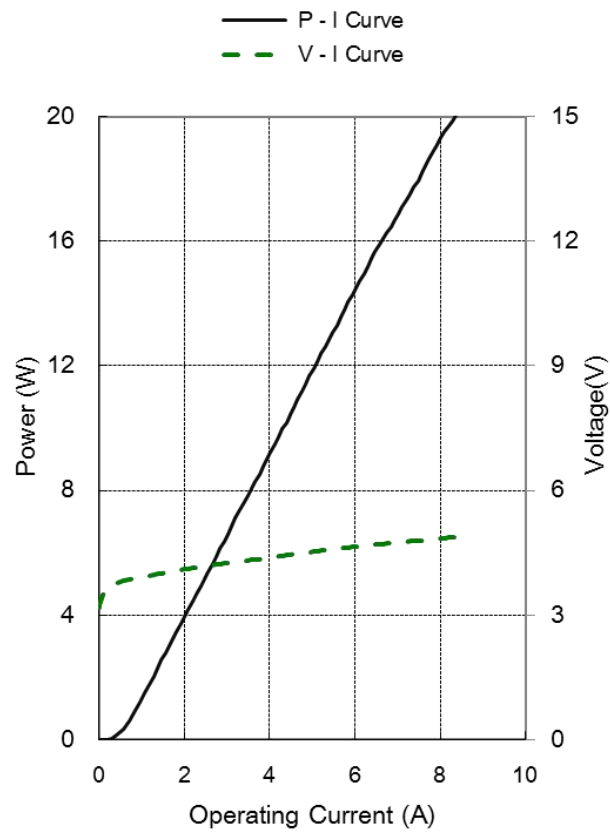
Absolute Ratings

	Unit	Min	Max
Operating Temperature	°C	10	40
Operating Relative Humidity	%	-	75
Storage Temperature	°C	-20	80
Storage Relative Humidity	%	-	90
Lead Soldering Temperature, 10 s max	°C	-	250

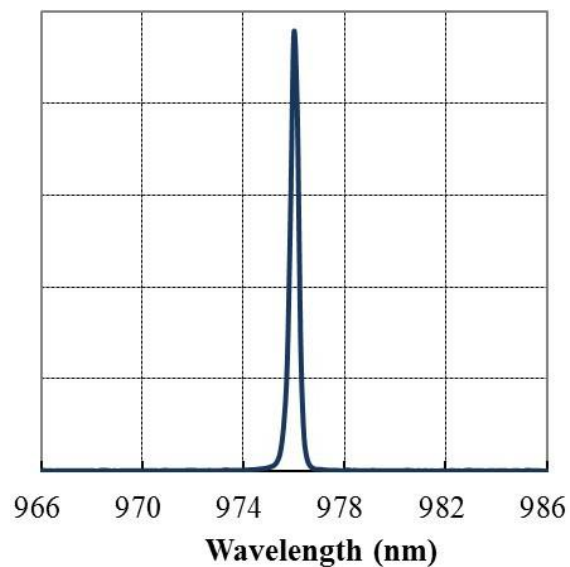
Addr: No.888 Jinhua Road High-tech Zone, Changchun 130103, P.R.China

Contact: sales@cnilaser.com International Tel: +86-431-85603799 Fax: +86-431-87020258

Characteristics of 976nm-20W laser diode module (25°C)



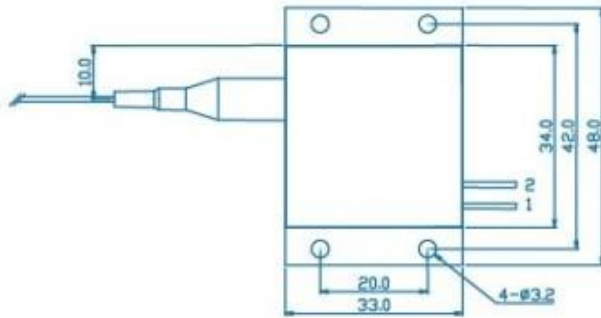
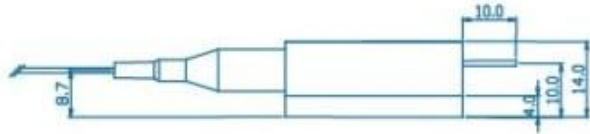
Typical spectrum of 976nm-20W laser diode module (25°C)



Addr: No.888 Jinhua Road High-tech Zone, Changchun 130103, P.R.China

Contact: sales@cnlaser.com International Tel: +86-431-85603799 Fax: +86-431-87020258

Package Dimensions (mm)



Pin Assignment	
Pin	Function
1	LD (+)
2	LD (-)



Addr: No.888 Jinhua Road High-tech Zone, Changchun 130103, P.R.China

Contact: sales@cnilaser.com International Tel: +86-431-85603799 Fax: +86-431-87020258