

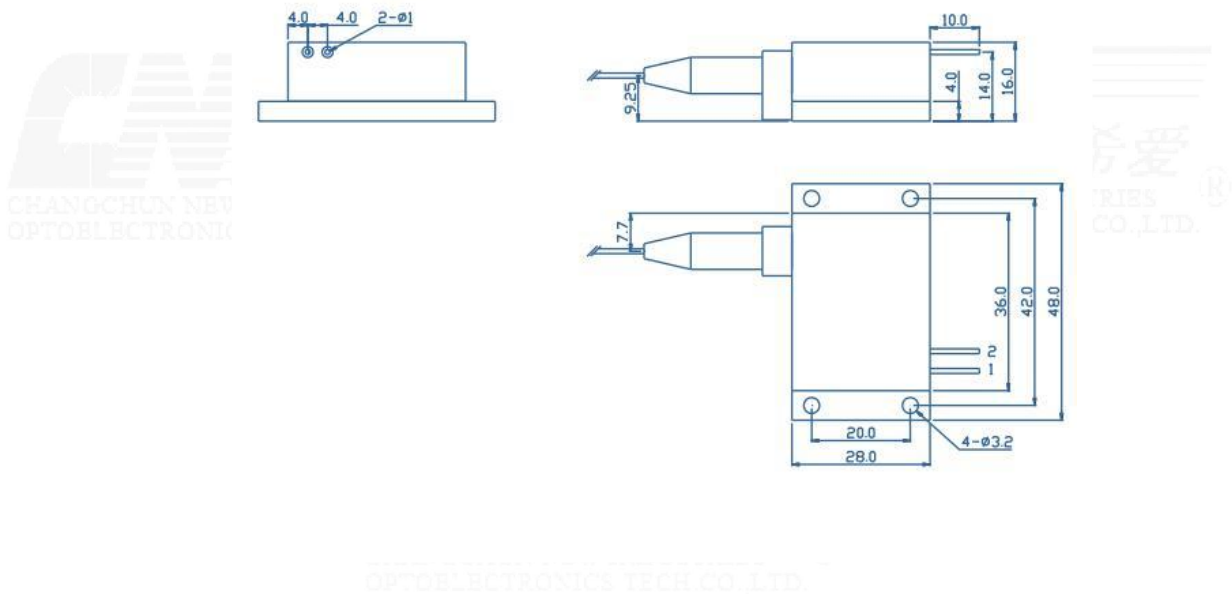
Characteristics
<b>Output Power: 27W</b>
<b>Wavelength: 976nm</b>
<b>Fiber Core Diameter: 105μm</b>
<b>Numerical Aperture: 0.22</b>
Applications
<b>Pumping Source for Solid-state Laser</b>
<b>Material processing</b>

Parameter		Symbol	Typical	Unit
Optical	CW Output Power	$P_{op}$	27	W
	Center Wavelength	$\lambda$	976±0.5	nm
	Spectral Width (90% of Power)	$\Delta\lambda$	<1.0	nm
	Wavelength Shift with Temperature	$\Delta\lambda/\Delta T$	0.02	nm / °C
	Feedback Protection(1030-1100nm)	-	>40	dB
Electrical	Threshold Current	$I_{th}$	0.6	A
	Operating current	$I_{op}$	9.0	A
	Operating Voltage	$V_{op}$	6.6	V
	Slope Efficiency	$\eta$	3.8	W/A
	Power Conversion Efficiency	$\eta_{ep}$	48	%
Fiber	Core Diameter	$d_{core}$	105	μm
	Cladding Diameter	$d_{clad}$	125	μm
	Buffer Diameter	$d_{buffer}$	250	μm
	Numerical Aperture	NA	0.22	-
	Fiber Length	L	1.0	m
	Connector	-	Bare Fiber, SMA905, FC/PC	-

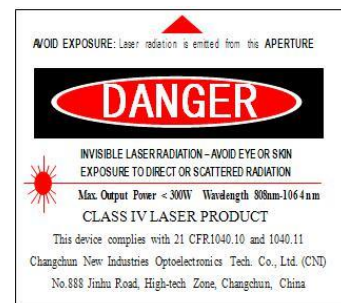
## Other Parameters

Parameter	Operating Temperature/°C	Operating Relative Humidity/%	Storage Temperature/°C	Storage Relative Humidity/%	Lead Soldering Temperature, 10s max/°C
Min	10	-	-20	-	-
Max	40	75	80	90	250

## T4S Package Dimensions



Pin	Function
1	LD (+)
2	LD (-)



Changchun New Industries Optoelectronics Tech. Co., Ltd  
<http://www.cnilaser.com>

### ◆ CONTACT

No.888, Jinhua Road, High-tech Zone, Changchun  
130103, China

Phone: +86-431-87033597

Fax: +86-431-87033597