



LDM-980-35

Typical Device Performance (25°C)

Optical	Unit	Typical Value
CW Output Power	W	35
Center Wavelength	nm	980±10
Spectral Width (90% of Power)	nm	4
Wavelength Shift with Temperature	nm / °C	0.3
Electrical		
Threshold Current	A	0.7
Operating Current	A	10.5
Operating Voltage	V	5.4
Slope Efficiency	W / A	3.6
Power Conversion Efficiency	%	46
Aiming Laser*		
CW Output Power	mW	1
Center Wavelength	nm	650±10
Operating Current	mA	<30
Operating Voltage	V	~2.2
Fiber**		
Fiber Core Diameter	μm	200
Fiber Cladding Diameter	μm	220
Fiber Buffer Diameter	μm	500
Numerical Aperture	-	0.22
Fiber Length	m	1.0
Fiber Connector	-	SMA905

*Optional built-in constant power circuit, 5V power supply needed.

Optional constant voltage green aiming beam.

**Customized fiber and connector available.

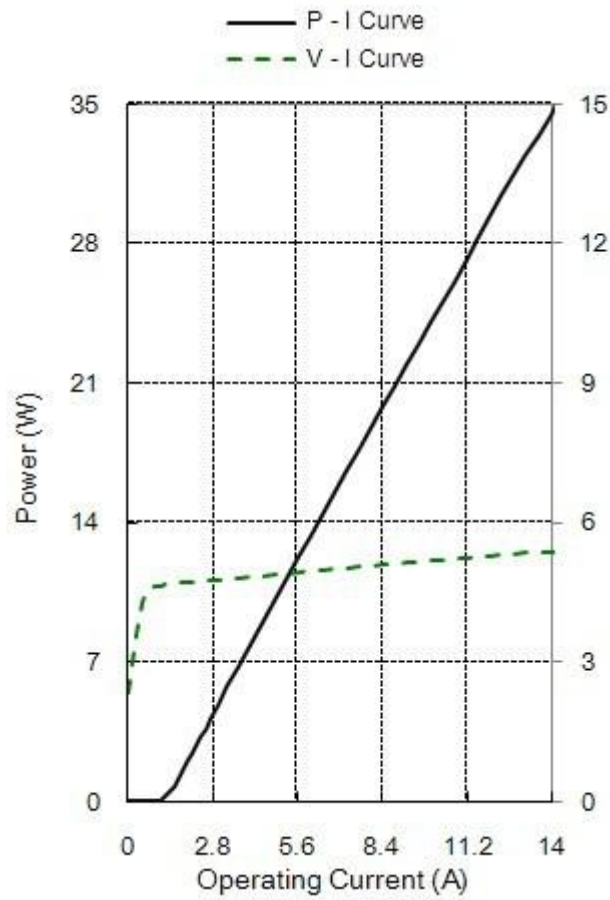
Absolute Ratings

	Unit	Min	Max
Operating Temperature	°C	10	40
Operating Relative Humidity	%	-	75
Storage Temperature	°C	-20	80
Storage Relative Humidity	%	-	90
Lead Soldering Temperature, 10s max	°C	-	250

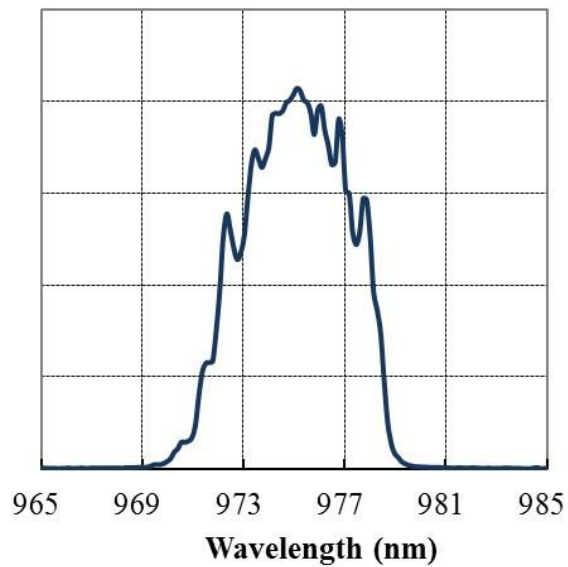
Addr: No.888 Jinhua Road High-tech Zone, Changchun 130103, P.R.China

Contact: sales@cnilaser.com International Tel: +86-431-85603799 Fax: +86-431-87020258

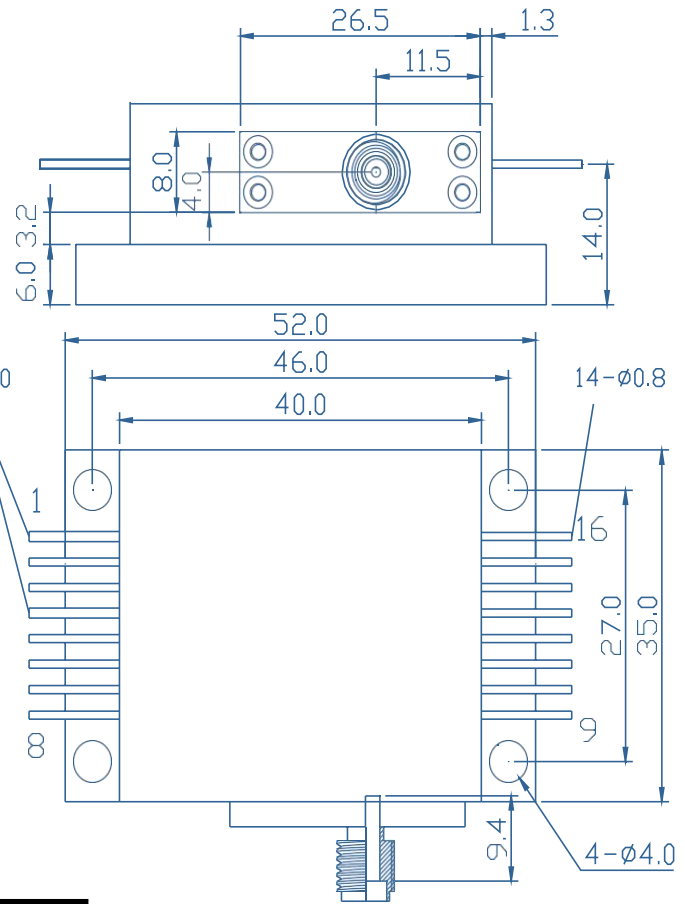
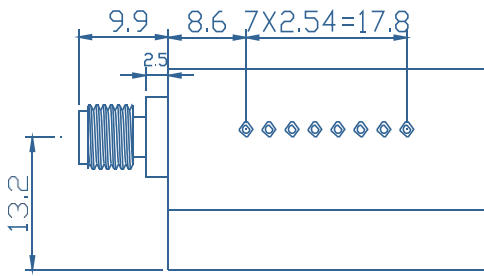
Characteristics of 980nm-35W laser diode module (25°C)



Typical spectrum of 980nm-35W laser diode module (25°C)



Package Dimensions (mm)



Pin-Out Assignment			
Pin	Function	Pin	Function
1	LD (+)	9	Fiber Connector Detector LED(-)
2	-	10	Fiber Connector Detector LED(+)
3	-	11	Fiber Connector Detector PD(N)
4	LD (-)	12	Aiming Beam(+5V) PD (N)
5	-	13	Aiming Beam(0V)
6	-	14	PD (P)
7	-	15	Thermistor
8	-	16	Thermistor

Addr: No.888 Jinhua Road High-tech Zone, Changchun 130103, P.R.China

Contact: sales@cnilaser.com International Tel: +86-431-85603799 Fax: +86-431-87020258