

LPS-1064-B/80mJ

SPECIFICATIONS

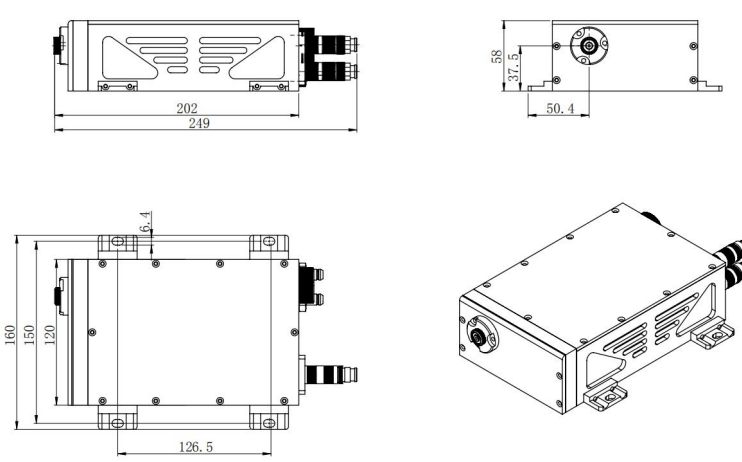
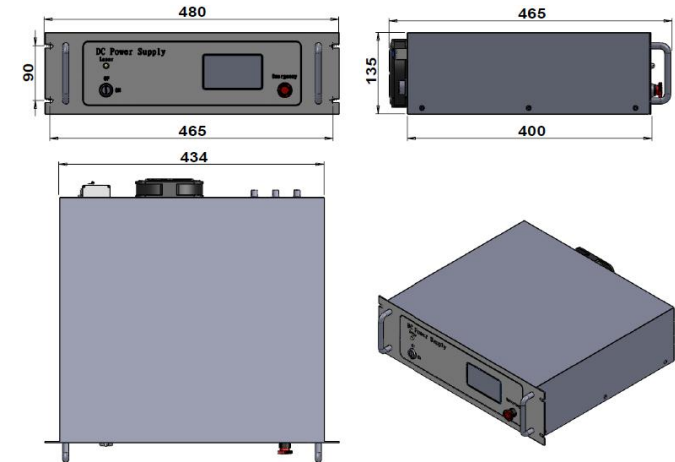
**HIGH ENERGY LAMP
PUMPED SOLID STATE
Q-SWITCHED LASER**

High energy lamp pumped solid state Q-switched laser at 1064nm has the features of high single pulse energy, short pulse duration, high peak power, and without water cooling machine, which is widely used in LIF, LIBS, ICP-MS, Raman, scientific research, military, and so on.



Wavelength (nm)	1064±1
Operating mode	Q-switched: EO (Electro-optic)
Single pulse energy (mJ)	80
Pulse duration (ns)	<10
Rep. rate (Hz)	1~20 (adjustable)
Energy stability	<3%
Beam divergence, full angle (mrad)	<3
Beam diameter (mm)	~4
Warm-up time (minutes)	<15
Beam height from base plate (mm)	37
Cooled method	Water Cooled
Operating temperature (°C)	15~30
Power supply and chiller (220/110VAC)	PSU-LPS-B
Expected lifetime of lamp (pulses)	10 ⁷
Warranty period	1 year
Available Options	SHG Module; Jitter :~1ns (Sdev) ; Accessories



LPS-1064-B	PSU-LPS-B (3U)
 <p data-bbox="515 1388 806 1428">249 (L)×120(W)×58(H) mm³, 3.5 kg</p>	 <p data-bbox="1344 1388 1769 1444">480 (L) ×465(W) ×135(H) mm³, 15kg Rep. Rate and Voltage can be adjusted by touch screen</p>