

MBL-F-457/1~1000mW



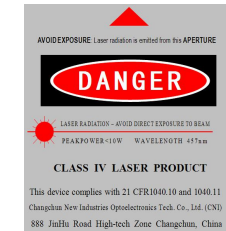
LD PUMPED ALL-SOLID-STATE
BLUE LASER

All solid state 457nm blue laser is made features of ultra compact, long lifetime, low cost and easy operating, which is used in fluorescence sensors, Raman spectrum, laser printing, holography, laser display, submarine communication, biomedicine, laser lighting show, etc.

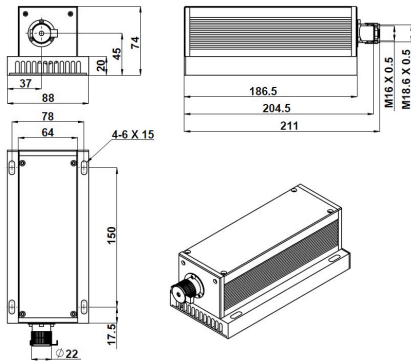


SPECIFICATIONS

Wavelength (nm)	457 ± 1	
Operating mode	CW	
Output power (mW)	>1, 10, 20, 30, ..., 400	>400, 550, 600, ..., 1000
Power stability (rms, over 4 hours)	<3%, <5%, <10%	<5%, <10%
Transverse mode	Near TEM ₀₀	Near TEM ₀₁ , (Near TEM ₀₀ on request)
M ² factor	<2. 0	
Beam diameter at the aperture (1/e ² , mm)	~3. 0	
Beam divergence, full angle (mrad)	<1. 5	
Polarization ratio	>100:1	
Warm-up time (minutes)	<10	
Pointing stability after warm-up (mrad)	<0.05	
Beam height from base plate (mm)	45	
Operating temperature (°C)	10~35	
Power supply (90-264VAC)	PSU-H-LED PSU-H-FDA PSU-H-OEM PSU-SR	
Modulation option	TTL on/off, 1Hz-1KHz, 1KHz-10KHz, 10KHz-30KHz; and Analog modulation option	
Expected lifetime (hours)	10000	
Warranty period	1 year	



MBL-F-457



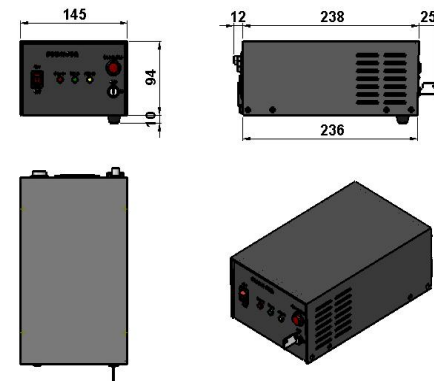
211(L)×88(W)×74(H) mm³, 1.6 kg

PSU-H-LED



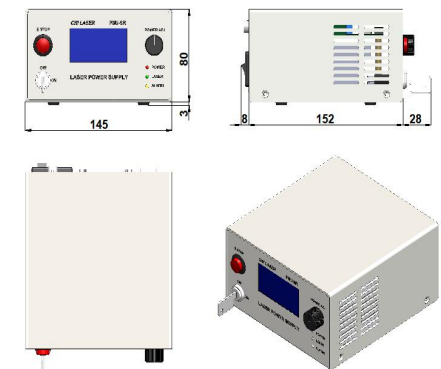
277 (L) ×145(W) ×106 (H) mm³, 2.6 kg

PSU-H-FDA



236(L) ×145(W) ×104(H) mm³, 2.3 kg

PSU-SR



188(L) ×145(W) ×83(H) mm³, 2kg