

MDL-E-445/1~30mW



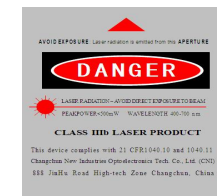
**NARROW LINEWIDTH  
DIODE LASER AT 445nm**

It features a narrow spectral linewidth, stable wavelength, long lifetime and easy operation. They are widely used in precision measurement, high resolution spectrum analysis, etc.

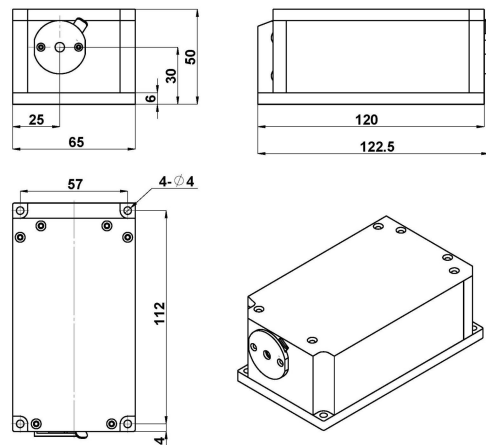


SPECIFICATIONS

|  |   |
|--|---|
| Central wavelength (nm)                              | 445±1   |
| Operating mode                                       | CW  |
| Output power (mW)                                    | >1, 2, 3, ...,30  |
| Power stability (rms, over 4 hours)                  | <1%, <2%, <3%   |
| Transverse mode                                      | Near TEM <sub>00</sub>  |
| Spectral linewidth (nm)                              | <0.06 (<0.03, optional)   |
| Beam diameter at the aperture (1/e <sup>2</sup> ,mm) | ~3.5  |
| Beam divergence, full angle (mrad)                   | <1.0  |
| Polarization ratio                                   | >50:1 (>100:1, optional)<br>Horizontal±5 degree (Vertical Optional) |
| Warm-up time (minutes)                               | <5  |
| Beam height from base plate (mm)                     | 30  |
| Operating temperature (°C)                           | 20~30   |
| Power supply (100-240VAC)                            | PSU-A-D   |
| Expected lifetime (hours)                            | 10000   |
| Warranty   | 1 year  |



MDL-E-445



122.5(L)×65(W)×50(H) mm<sup>3</sup>, 1.0kg

PSU-A-D



162(L)×144(W)×70(H) mm<sup>3</sup>, 1.0kg