



MDL-HD-650/655/1800-3000mW



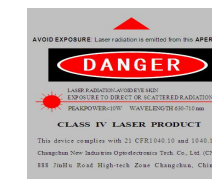
RED DIODE LASER
AT 650/655nm

It features ultra compact design, long lifetime, cost-effectiveness and easy operation. They are widely used in measurement, spectrum analysis, laser lighting show, etc.

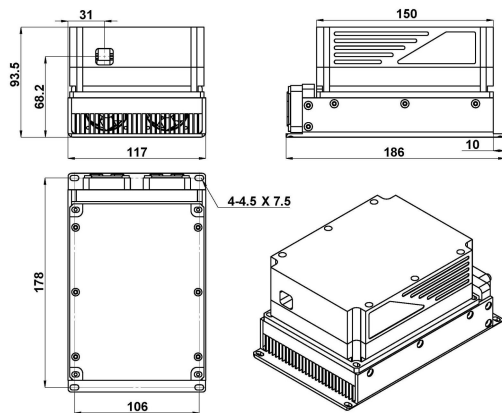


SPECIFICATIONS

Central wavelength (nm)	650±10/ 655±10
Operating mode	CW
Output power (mW)	>1800, 1900, ...,3000
Power stability (rms, over 4 hours)	<1%, <2%, <3%
Polarization direction	Horizontal+ Vertical
Beam diameter at the aperture (mm)	~6×8
Beam divergence, full angle (mrad)	~4×3
Warm-up time (minutes)	<5
Operating temperature (°C)	10-35
Power supply (100-240VAC)	PSU-N-LED/ PSU-N-FDA
TTL / Analog modulation	TTL or Analog with 1Hz-1kHz 1kHz-10kHz, 10kHz-30kHz optional
Expected lifetime (hours)	10000
Warranty	1 year

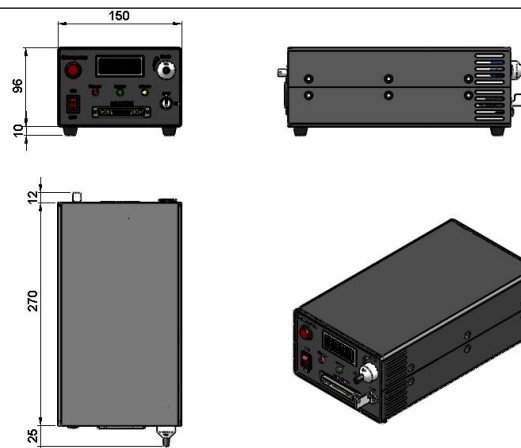


MDL-HD-650/655



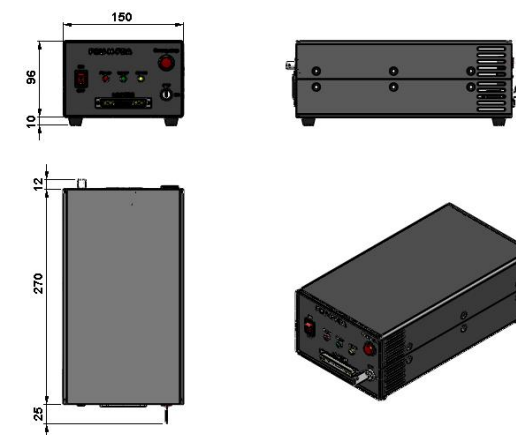
186(L)×117(W)×93.5(H) mm³, 3.8kg

PSU-N-LED



307(L)×150(W)×106(H) mm³, 3.0kg

PSU-N-FDA



307(L)×150(W)×106(H) mm³, 3.0kg