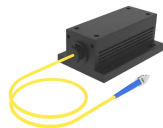


MDL-III-1310-SLD-SM/1~17mW



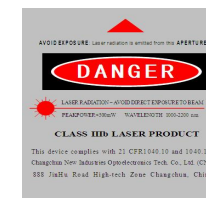
**INFRARED DIODE LASER  
AT 1310nm**

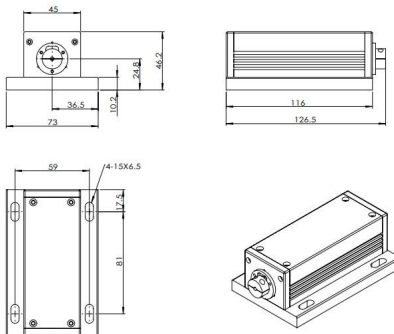
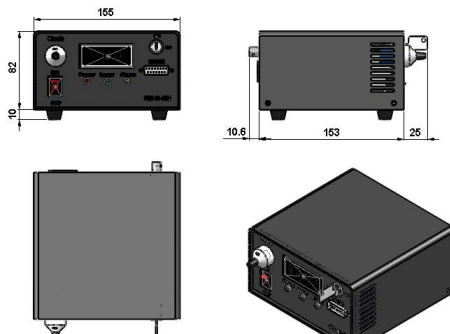
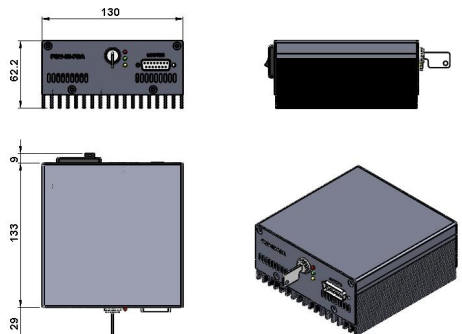
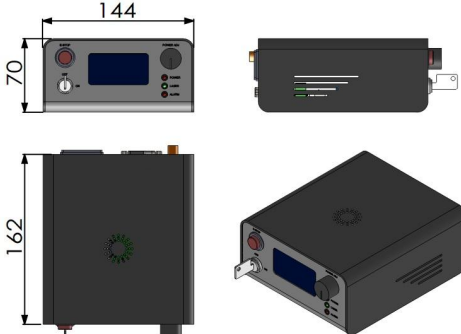
It features a wide spectral linewidth, short coherent length, long lifetime and easy operation. They are widely used in medical treatment, machine vision, metrology, fiber optic current sensing, etc.



SPECIFICATIONS

|                                     |  |  |
|-------------------------------------|--|--|
| Central wavelength (nm)             | 1310±20  |  |
| Spectral linewidth (nm)             | ~90  |  |
| Operating mode                      | CW   |  |
| Output power after fiber (mW)       | >1,2,3,..., 17   |  |
| Power stability (rms, over 4 hours) | <3%, <2%, <1%, <0.5%   |  |
| Fiber type                          | SM fiber   |  |
| Fiber Core Diameter(μm)             | 4~9  |  |
| Fiber NA                            | 0.12   |  |
| Fiber Connector                     | FC/PC, FC/APC  |  |
| Fiber Length (m)                    | 1 (Other lengths are available on request)   |  |
| Transverse mode                     | TEM <sub>00</sub>  |  |
| Ellipticity                         | >0.95  |  |
| M <sup>2</sup> factor after fiber   | ~1.1   |  |
| Warm-up time (minutes)              | <5   |  |
| Operating temperature (°C)          | 10~35  |  |
| Power supply                        | 85-264VAC  | PSU-III-LED/ PSU-III-FDA (Frequency for 1Hz-30kHz) |
|                                     | 100-240VAC   | PSU-A-D (Frequency for 30kHz -100kHz)              |
| Modulation optional                 | TTL on/off, 1Hz-1kHz, 1kHz-10kHz, 10kHz-30kHz, 30kHz-100kHz;<br>and Analog modulation optional |  |
| Expected lifetime (hours)           | 10000  |  |
| Warranty                            | 1 year   |  |



| MDL-III-1310-SLD-SM  | PSU-III-LED  | PSU-III-FDA  | PSU-A-D  |
|--|--|--|--|
|  <p>126.5(L) × 73(W) × 46.2(H) mm<sup>3</sup>, 0.7kg</p> |  <p>188.6 (L) × 155(W) × 92 (H) mm<sup>3</sup>, 1.5kg</p> |  <p>171(L) × 130(W) × 62.2 (H) mm<sup>3</sup>, 1.2kg</p> |  <p>162(L) × 144(W) × 70 (H) mm<sup>3</sup>, 1.0kg</p> |