



MDL-III-P-905/1~25mW



**INFRARED DIODE LASER
AT 905nm**

It features ultra compact design, long lifetime, cost-effectiveness and easy operation. They are used in measurement, communication, spectrum analysis, laser ranging etc.

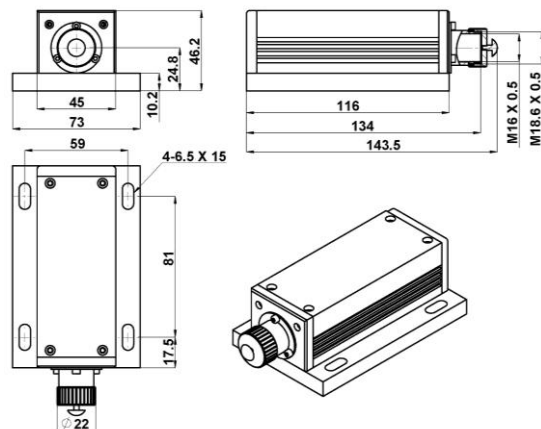


SPECIFICATIONS

Central wavelength (nm)	905±10
Operating mode	Modulation (Pulse)
Output power (mW)	>1, 2, 3, ..., 25
Transverse mode	Multimode
Dimensions of beam at the aperture (mm)	~10×10
Beam divergence, full angle (mrad)	<30
Pulse duration (ns)	~20 (@10kHz)
Peak power (W)	~135 (@10kHz)
Rep. rate (kHz)	1~10
Warm-up time (minutes)	<5
Beam height from base plate (mm)	24.8
Operating temperature (°C)	10~35
Power supply (100-240VAC)	PSU-III-LED
Expected lifetime (hours)	10000
Warranty	1 year

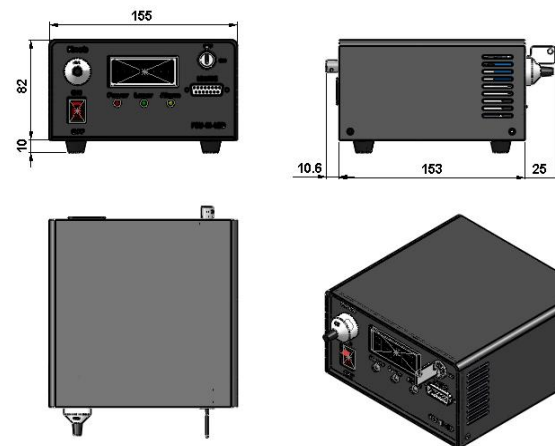


MDL-III-P-905



143.5(L)×73(W)×46.2(H) mm³, 0.7kg

PSU-III-LED



188.6 (L) ×155(W) ×92 (H) mm³, 1.5kg