



MDL-PS-980/1~50mW



**PICOSECOND PULSED
INFRARED DIODE LASER
AT 980nm**

It features integrated electronics, repetition rate 100kHz to 80 MHz, synchronized signal output. Fast ON/ OFF/ multiplexing capability. Suitable for fluorescence excitation, time resolve spectrum, highly sensitive absorption spectroscopy, etc.

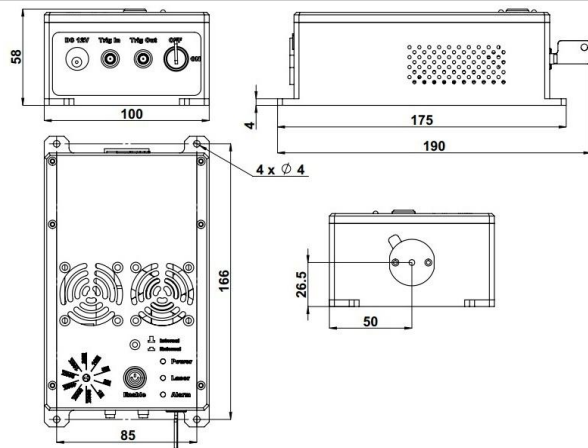


SPECIFICATIONS

Central wavelength (nm)	980±10	
Operating mode	Pulsed	
Peak power (mW)	1~50	
Power stability (rms, over 4 hours)	<1%, <2%, <3%	
Pulse width (ps)	100~1000 (unadjustable)	
Transverse mode	Near TEM ₀₀	
User trigger frequency	100kHz~20MHz (Internal trigger available)	20MHz~80MHz
Beam diameter at the aperture (1/e ² , mm)	~3.5	
Beam divergence, full angle (mrad)	<1.0	
Modulation Depth (extinction ratio)	>1000000:1	
Warm-up time (minutes)	<5	
Beam height from base plate (mm)	26.5	
Operating temperature (°C)	10~35	
Operating voltage	DC12V 4A	
Warranty	1 year	

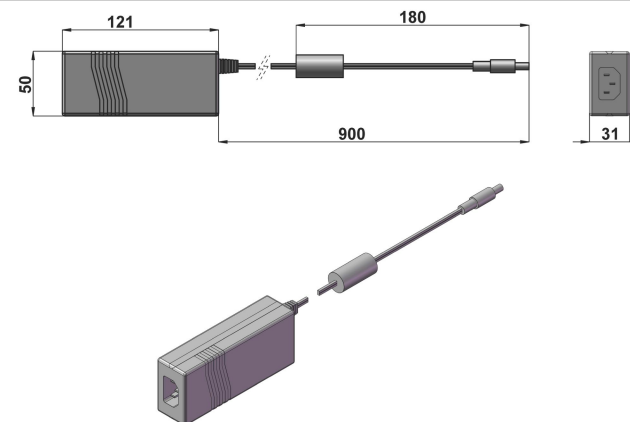


MDL-PS-980



190(L) × 100(W) × 58(H) mm³, 1.2kg

Optional Power Supply (100-240VAC)



121(L) × 50(W) × 31(H) mm³, 0.3kg