

MDL-SD-442/3500-4000mW



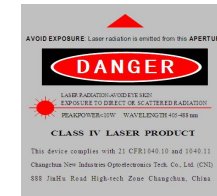
**BLUE DIODE LASER
AT 442nm**

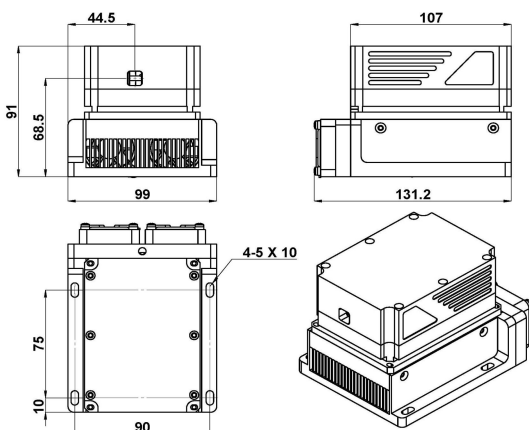
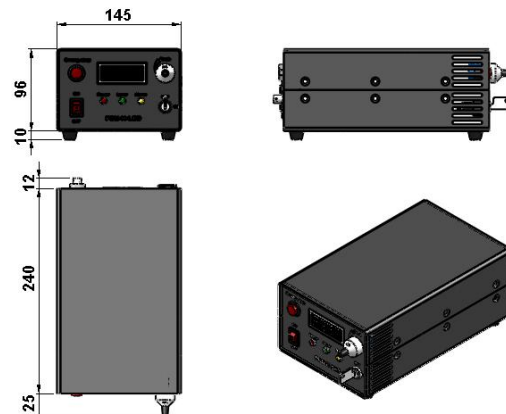
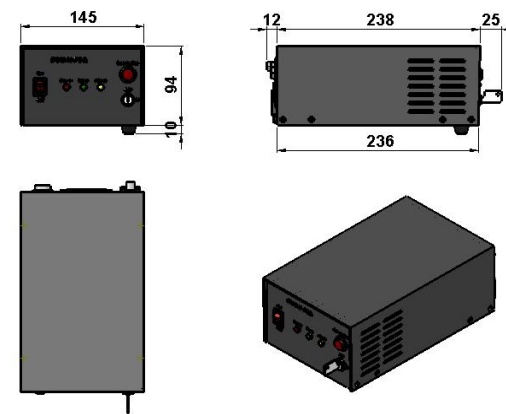
It features ultra compact design, long lifetime, cost-effectiveness and easy operation. They are widely used in measurement, communication, spectrum analysis, etc.



SPECIFICATIONS

Central wavelength (nm)	442±5	
Operating mode	CW	
Output power (mW)	>3500, 3600, ..., 4000	
Power stability (rms, over 4 hours)	<1%, <2%, <3%	
Polarization direction	Horizontal/ Vertical	Horizontal+ Vertical
Beam diameter at the aperture (mm)	~4.7×2.7	~2.7×2.7
Beam divergence, full angle (mrad)	~1.4×0.2	
Warm-up time (minutes)	<5	
Operating temperature (°C)	10-35	
Power supply (100-240VAC)	PSU-H-LED/ PSU-H-FDA	
TTL / Analog modulation	TTL or Analog with 1Hz-1kHz 1kHz-10kHz, 10kHz-30kHz optional	
Expected lifetime (hours)	10000	
Warranty	1 year	



MDL-SD-442	PSU-H-LED	PSU-H-FDA
 <p>131.2(L)×99(W)×91(H) mm³, 1.6kg</p>	 <p>277 (L) ×145(W) ×106(H) mm³, 2.3kg</p>	 <p>275 (L) ×145(W) ×104(H) mm³, 2.1kg</p>