



MGL-FN-xxx-A series

LD PUMPED ALL-SOLID-STATE LASER

All solid-state CW mode laser is made features of ultra compact, easy operating, high power and stability, which is perfect for flow cytometry, spectrum analysis, microscopy, semiconductor inspection, cell sorting, optical instrument, , physics experiment, etc.

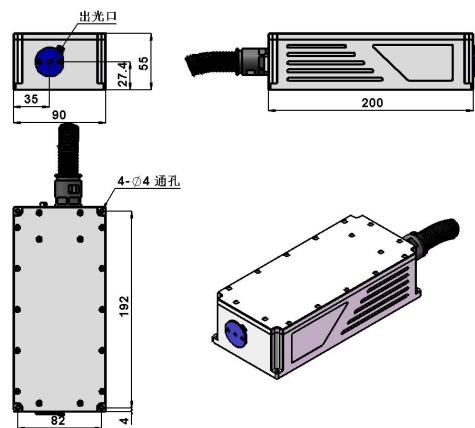


SPECIFICATIONS

Part number	MGL-FN-577-A
Central wavelength (nm)	577±1
Operating mode	CW
Output power (mW)	1200-4000
Power stability (rms, over 4 hours)	<3%
Transverse mode	Multi mode
Beam diameter at the aperture (1/e ² , mm)	~1.5
Beam divergence, full angle (mrad)	<1.4
Warm-up time (minutes)	<10
Polarization Ratio	>100:1
Beam height from base plate (mm)	27.4
Operating temperature (°C)	10-35
Power supply	FC-11
Warranty	1 year

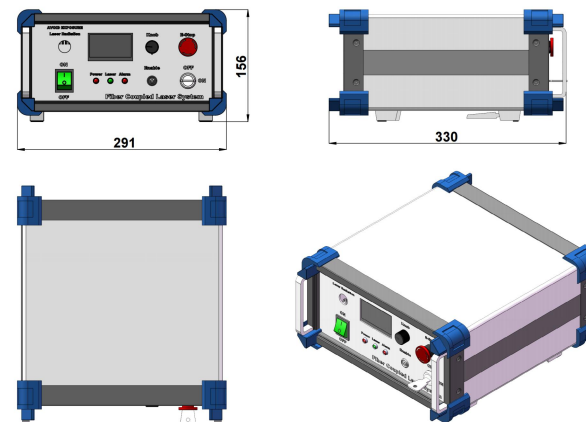


LASER HEAD



200(L)×90(W)×55(H) mm³

POWER SUPPLY



330(L) ×291(W) ×156(H) mm³