

MIL-V-1064/10~20W



LD PUMPED ALL-SOLID-STATE INFRARED LASER AT 1064 nm

All solid state infrared laser at 1064 nm is made features of ultra compact, long lifetime and easy operating, which is used in scientific experiment, optical instrument, optical sensor, measurement, communication, spectrum analysis, etc.

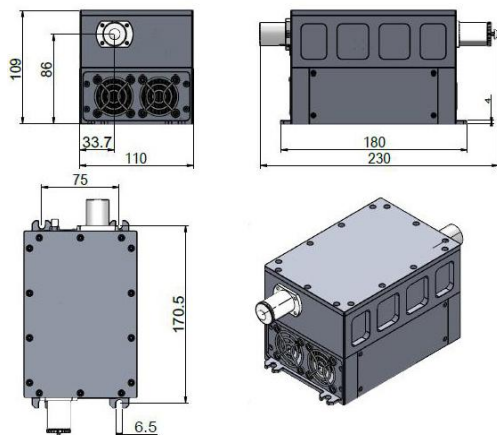


SPECIFICATIONS

Wavelength (nm)	1064±1
Operating mode	CW
Output power (W)	>10, 11, 12, ..., 20
Power stability (rms, over 4 hours)	<5%, <3%, <2%, <1%
Transverse mode	TEM ₀₀
M ² factor	<2.0
Beam divergence, full angle (mrad)	<2.0
Beam diameter at the aperture (1/e ² , mm)	<2.0
Warm-up time (minutes)	<10
Beam height from base plate (mm)	86
Polarization ratio	>100:1
Operating temperature (°C)	10~35
Power supply (90-264VAC)	PSU-Z-LED
TTL / Analog modulation	TTL or Analog with 1Hz-1kHz 1kHz-10kHz, 10kHz-30kHz optional
Expected lifetime (hours)	10000
Warranty period	1 year

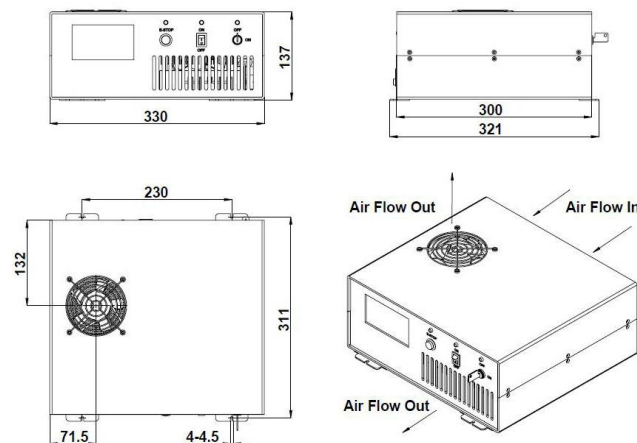


MIL-V-1064



230 (L) × 110 (W) × 109 (H) mm³, 2.8 kg

PSU-Z-LED



330 (L) × 321 (W) × 137 (H) mm³, 7.4 kg