



MLL-DP-xxx-A series

LD PUMPED ALL-SOLID-STATE LOW NOISE RED LASER

Low noise all solid state laser is made features of ultra compact, long lifetime, low cost and easy operating, which is widely used in measurement, spectrum analysis, and scientific research etc.



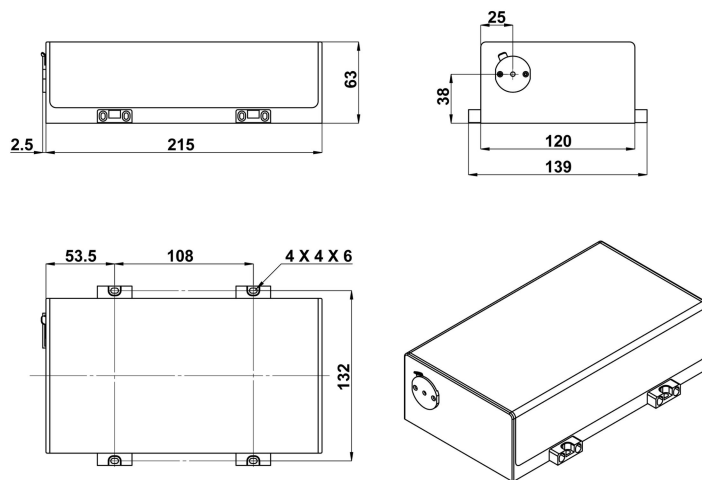
SPECIFICATIONS

Wavelength (nm)	639±1
Operating mode	CW
Output power (mW)	1500-2000
Power stability (rms, over 4 hours)	<3%, <2%, <1%
Transverse mode	TEM ₀₀
M ² factor	<2.0
Spectral line width (nm)	<0.003
Noise of amplitude (rms, 1Hz~20MHz)	<1%
Coherent length (cm)	>10
Beam diameter at the aperture (1/e ² , mm)	<2.0
Beam divergence, full angle (mrad)	<1.2
Warm-up time (minutes)	<5
Beam height from base plate (mm)	38
Cooled method	Fan Cooled
Operating temperature (°C)	10~35
Power supply (90-264VAC)	PSU-SEP-W
Expected lifetime (hours)	10000
Warranty	1 year

Note: The laser head needs to be used on a heat sink with good heat dissipation.

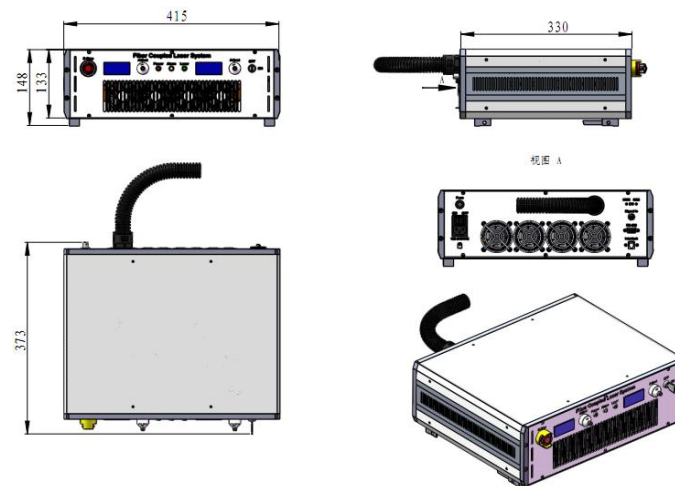


LASER HEAD



217.5(L)×139(W)×63(H) mm³

POWER SUPPLY



373(L) ×415(W) ×148(H) mm³