

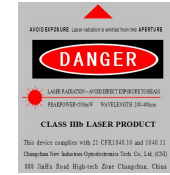


**MPL-FN series**



**LD PUMPED ALL-SOLID-STATE LASER**

All solid state laser is made features of ultra compact, long lifetime, cost-effectiveness and easy operating, which is widely used in curing, micro-electronics, CD carving, laser medical treatment, scientific experiment, etc.



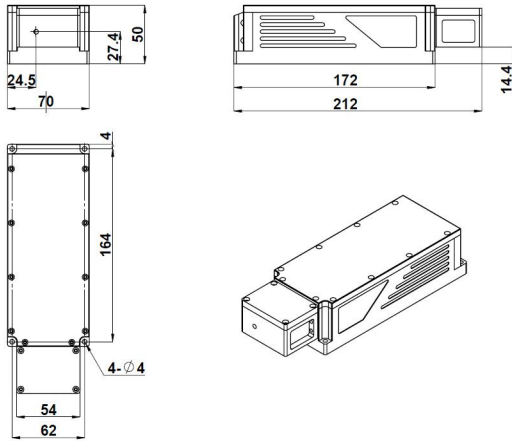
**SPECIFICATIONS**

Wavelength (nm)	236±1	266±1		315±1	355±1		556±1
Operating mode	Frequency conversion of Q-switched pulsed laser						
Max average power (mW)*	1~3	1~8	1~18	1~2	1~15	1~30	1~300
Single pulse energy (μJ)	1~3	1~8	1~6	1~2	1~15	1~10	1~60
Pulse duration (ns)	~1.4	~0.6	~0.8	~1.4	~0.6	~0.8	~35
Peak power (kW)	0.71~2.14	1.66~13.3	1.25~7.5	0.71~1.42	1.66~25	1.25~12.5	0.02~1.71
Rep. rate (kHz)(optional)	0.01~1.0	0.01~1.0	0.1, 0.2, 0.3, ..., 1.0, 2.0, 3.0	0.01~1.0	0.01~1.0	0.1, 0.2, 0.3, ..., 1.0, 2.0, 3.0	4~6kHz (QCW)
Ave power stability (over 4 hours)	<10%, <5%, <3%						
Transverse mode	Near TEM <sub>00</sub>						
M <sup>2</sup> factor	<2.0						
Beam diameter at the aperture (mm)	~1.5						
Beam divergence, full angle (mrad)	~6.0			<1.5			
Warm-up time (minutes)	<5						
Beam height from base plate (mm)	27.4						
Operating temperature (°C)	10~35						
Power supply (90-264VAC)	PSU-SR						
Warranty	1 year						
Remarks	Please Note: because of the Walk-off effect of Nonlinear crystals, the beam quality of UV laser is not so good as that of 1064/532nm laser.			/			

\*Average power (mW)= Single pulse energy (μJ)\* Rep. rate(kHz)

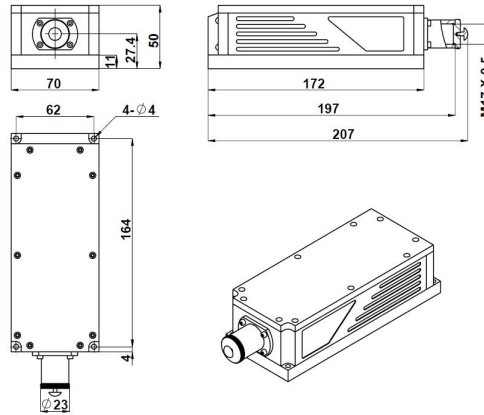
**Note: The laser head needs to be used on a heat sink with good heat dissipation.**

**LASER HEAD (MPL-FN-236/ MPL-FN-266)**



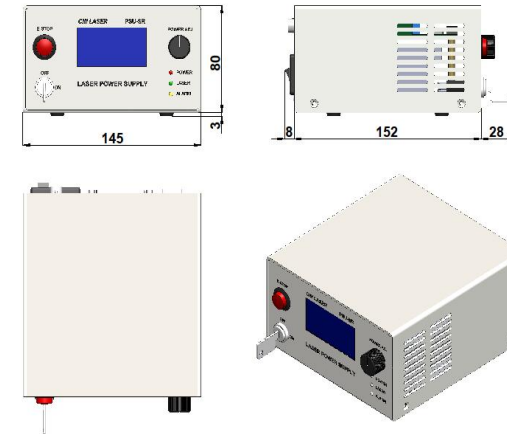
212(L)×70(W)×50(H) mm<sup>3</sup>, 1.6kg

**LASER HEAD (MPL-FN-315/ MPL-FN-355/  
MPL-FN-556)**



197(L)×70(W)×50(H) mm<sup>3</sup>, 1.5 kg

**POWER SUPPLY**



188(L) ×145(W) ×83(H) mm<sup>3</sup>, 1.2kg