



MPL-III-1313/1~5uJ/1~100mW



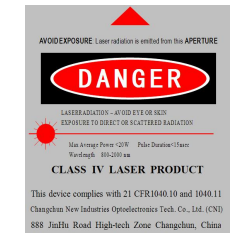
**LD PUMPED ALL-SOLID-STATE  
Q-SWITCHED LASER AT 1313**

All solid state Q-switched laser at 1313nm has the features of high peak power, high repetition rate, and short pulse duration, which is widely used in medical, scientific research, industry, etc.

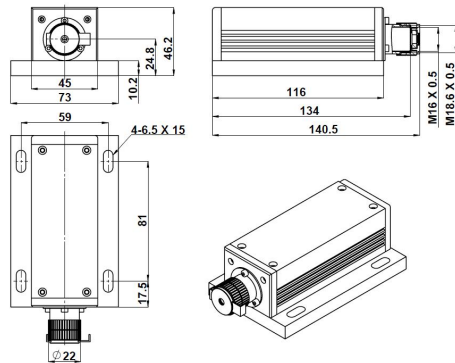


**SPECIFICATIONS**

Central wavelength (nm)		1313±1
Operating mode		Q-switched pulsed laser
Single pulse energy (μJ)		1~5
Pulse duration (ns)		~10
Peak power (W)		100~500
Rep. rate (kHz)	FIXED	Setting up one fixed rep. rate internal between 1Hz-4kHz with stable pulse energy, pulse duration and pulse period.
	EXT TRIG	1Hz-4kHz by external trigger with stable pulse energy, pulse duration and pulse period.
	QCW	QCW state with one rep. rate between 5kHz-20kHz.
Average power (mW)		Average power (mW) = Single pulse energy (μJ) * Rep. rate (kHz)
Ave power stability (over 4 hours)		<1%, <2%, <3%, <5%
Transverse mode		TEM <sub>00</sub>
Warm-up time (minutes)		<10
M <sup>2</sup> factor		<1.2
Beam divergence, full angle (mrad)		<1.5
Beam diameter at 1/e <sup>2</sup> (mm)		~1.5
Beam height from base plate (mm)		24.8
Operating temperature (°C)		10~35
Power supply (90-264VAC)		PSU-III-FDA
Expected lifetime (hours)		10000
Warranty		1 year

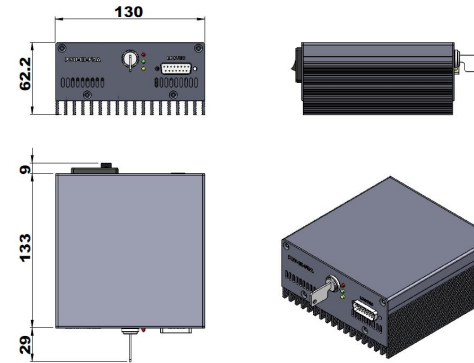


MPL-III-1313



140.5 (L) × 73 (W) × 46.2 (H) mm<sup>3</sup>, 0.6kg

PSU-III-FDA



171 (L) × 130(W) × 62.2 (H) mm<sup>3</sup>, 1.2kg