

MPL-Q -287/1~50mW

LD PUMPED ALL-SOLID-STATE Q-SWITCHED UV LASER at 287nm

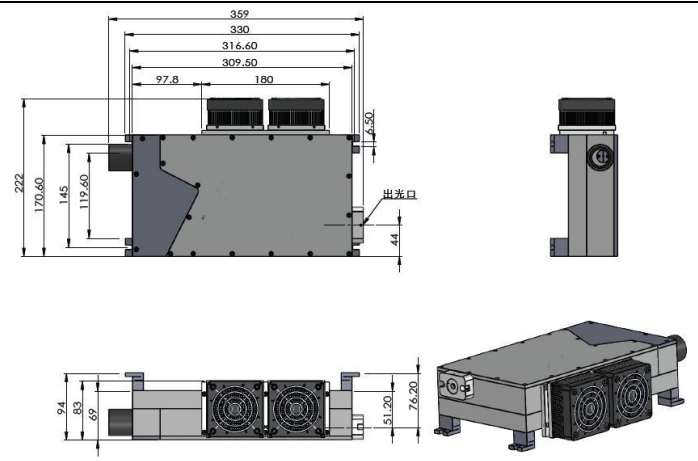
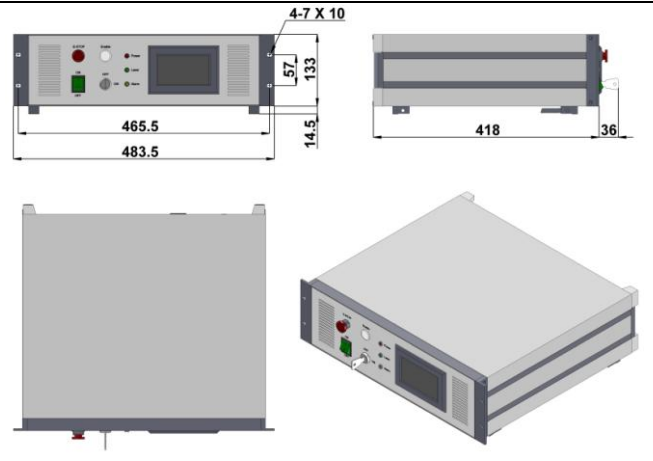
CNI's All solid state Q-switched UV laser at 287nm has the features of ultra compact, easy operating, it is widely used in UV curing, micro-electronics, metrology and material processing ,laser medical treatment, scientific experiment, etc



SPECIFICATIONS

Central wavelength (nm)	287±2
Operating mode	Acousto-Optic Q-switched
Average power (mW)	1-50
Rep. rate (kHz)	1~10
Pulse duration (ns)	10~50
Single pulse energy (μJ)	1~5
Peak power(W)	1~100
Beam diameter at the aperture (1/e ² , mm)	<3
Beam divergence, full angle (mrad)	<3.5
Power stability (rms, over 4 hours)	<3%, <5%,
Beam height from base plate (mm)	76.2
Warm-up time (minutes)	<10
Cooled method	Air Cooled
Power supply	PSU-AOM
Expected lifetime (hours)	10000
Warranty period	1 year



MPL-Q-287	PSU-AOM
 <p>359 (L) x 222 (W) x 94 (H) mm³</p>	 <p>483.5 (L) x 454 (W) x 147.5 (H) mm³, 8.3 kg</p>