



MPL-S-1064/1~50uJ/1~200mW

LD PUMPED ALL-SOLID-STATE Q-SWITCHED LASER

All solid state Q-switched laser at 1064nm has the features of high peak power and short pulse duration, which is widely used in scientific research, laser micromaching, laser radar ranging, environment monitoring, laser ultrasonic monitoring and LIBS (Laser Induced Breakdown Spectroscopy) etc.

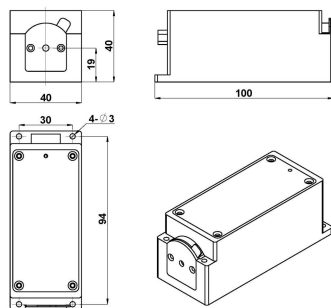


SPECIFICATIONS

Model	MPL-S-1064-A	MPL-S-1064-B			MPL-S-1064-C	
Wavelength (nm)	1064±1					
Operating mode	Q-switched pulsed laser					
Pulse duration (ps)	~400	~600			~800	
Max average power (mW)	5~50	1~5	5~8	5~25	5~50	40~200
Single pulse energy (μJ)	<50	<10	<8	<5	<50	<40
Peak power (kW)	~125	16.6	13.3	8.3	62.5	50
Rep. rate (kHz)	0.1,0.2~1.0	0.1~0.5	0.6~1.0	1~5	0.1,0.2~1.0	1~5
Ave power stability (over 4 hours)	2%, <3%, <5%					
Transverse mode	TEM ₀₀					
Warm-up time (minutes)	<10					
M ² factor	<1.5					
Beam divergence, full angle (mrad)	<1.5					
Beam diameter at the aperture (mm)	~1.0					
Beam height from base plate (mm)	19					
Operating temperature (°C)	0~35					
Power supply (90-264VAC)	PSU-SR					
Expected lifetime (hours)	10000					
Warranty	1 year					

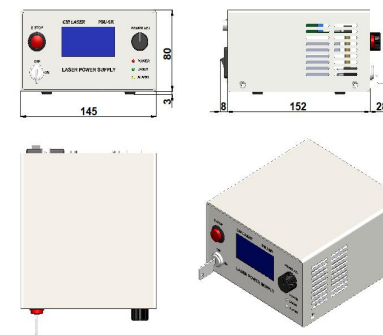


MPL-S-1064



100(L)×40(W)×40(H) mm³

PSU-SR



188(L)×145(W)×83(H) mm³, 1.2kg