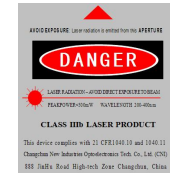


MRL-FN series



LD PUMPED ALL-SOLID-STATE LASER

All solid state laser is made features of high output power stability, good beam profile, ultra compact, long lifetime, low cost and easy operating, which is widely used in collimation, laser medical treatment, scientific experiment, optical instrument, etc.



SPECIFICATIONS

Part number	MRL-FN-604	MRL-FN-607	MRL-FN-613	MRL-FN-639	MRL-FN-656.5	MRL-FN-660	MRL-FN-666
Wavelength (nm)	604±1	607±3	613±1	639±1	656.5±1	660±1	666±1
Operating mode	CW						
Output power (mW)	1-100	500-600	1-20	800-1500	1-400	1-400	1-200
Power stability (rms, over 4 hours)	<3%, <2%, <1%	<3%, <2%, <1%, 0.5%	<3%, <2%	<3%, <2%, <1%, 0.5%	<2%, <1%, 0.5%	<3%, <2%	<3%, <2%
Transverse mode	Near TEM ₀₀	TEM ₀₀	Near TEM ₀₀	TEM ₀₀		Near TEM ₀₀	
M ² factor	<2.0	<1.2	<1.2	<1.2, <1.1	<1.5	<1.2	<2.0
Beam diameter at the aperture (1/e ² , mm)	<1.5	<1.0 <2.0	<1.0	<1.0	<1.5	<2.0	<2.0
Beam divergence, full angle (mrad)	<1.5						<2.0
Polarization Ratio	>100:1, Vertical (Horizontal Optional)			>100:1, Horizontal (Vertical Optional)		>100:1, Vertical (Horizontal Optional)	
Warm-up time (minutes)	<5						
Pointing stability after warm-up (mrad)	<0.05						
Beam height from base plate (mm)	27.4						
Operating Temperature (°C)	10-35						
Modulation optional	TTL on/off, 1Hz-1kHz, 1kHz-10kHz, 10kHz-30kHz; and Analog modulation optional						
Power supply (90-264VAC)	PSU-H-LED/PSU-H-FDA/PSU-SR						
Expected lifetime (hours)	10000						
Warranty	1 year						

Note: The laser head needs to be used on a heat sink with good heat dissipation.

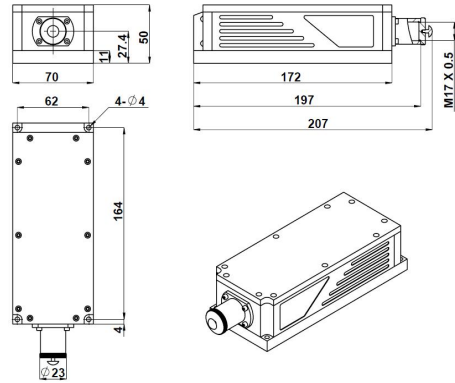


SPECIFICATIONS

Part number	MRL-FN-669	MRL-FN-670		MRL-FN-671		MRL-FN-678	MRL-FN-679	MRL-FN-698		MRL-FN-721	
Wavelength (nm)	669±1	670±0.5		671±1		678±1	679±1	698±1		721±1	
Operating mode	CW										
Output power (mW)	1-200	1-200	200-500	1-400	400-1000	1-100	1-30	1-500	500-1200	800-1200	
Power stability (rms, over 4 hours)	<3%, <2%, <1%	<1%, 0.5%		<3%, <2%, <1%	<3%, <2%	<3%, <2%, <1%	<3%, <2%, <1%	<2%, <1%	<3%, <2%	<3%, <2%, <1%, 0.5%	
Transverse mode	Near TEM ₀₀	TEM ₀₀	Near TEM ₀₀	TEM ₀₀				Near TEM ₀₀	TEM ₀₀	Near TEM ₀₀	
M ² factor	<2.0	<1.2	<2.0	<1.2, <1.1	<1.2	<1.5					
Beam diameter at the aperture (1/e ² , mm)	<2.0			~2.0		<1.0		~2.0		<1.2	
Beam divergence, full angle (mrad)	<2.0	<1.2		<1.5							
Polarization Ratio	>100:1, Vertical (Horizontal Optional)										
Warm-up time (minutes)	<5										
Pointing stability after warm-up (mrad)	<0.05										
Beam height from base plate (mm)	27.4										
Operating Temperature (°C)	10-35										
Modulation optional	TTL on/off, 1Hz-1kHz, 1kHz-10kHz, 10kHz-30kHz; and Analog modulation optional										
Power supply (90-264VAC)	PSU-H-LED/PSU-H-FDA/PSU-SR										
Expected lifetime (hours)	10000										
Warranty	1 year										

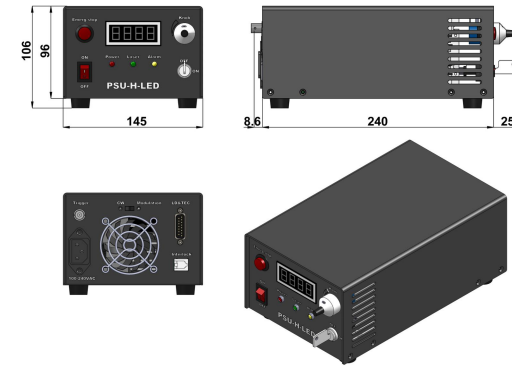
Note: The laser head needs to be used on a heat sink with good heat dissipation.

LASER HEAD



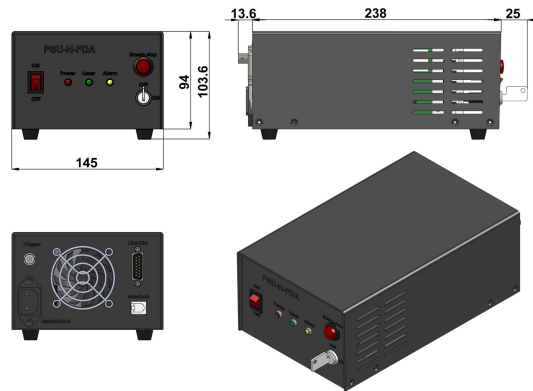
197(L)×70(W)×50(H) mm³, 1.5 kg

POWER SUPPLY (PSU-H-LED)



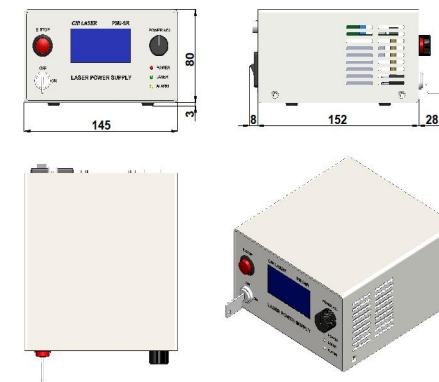
273.6 (L) ×145(W) ×106 (H) mm³, 2.3 kg

POWER SUPPLY (PSU-H-FDA)



276.6(L) ×145(W) ×103.6(H) mm³, 2.3 kg

POWER SUPPLY (PSU-SR)



188(L) ×145(W) ×83(H) mm³, 1.2kg