



MRL-FN-xxx-AOM series

HIGH FREQUENCY MODULATED ALL-SOLID-STATE LASER

The modulation frequency of high frequency modulation laser system is up to 1MHz. It can be used in the field like laser graphic processing, laser digital communications, etc. It have the feature of high extinction ratio, coding easily, usableness, etc

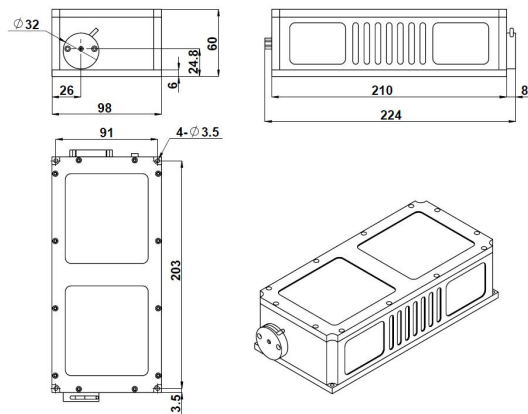


SPECIFICATIONS

Part number	MRL-FN-671-AOM
Wavelength (nm)	671±1
Output power (mW)	100-300
Power Stability (rms,over 4 hours)	<3%, <2%, <1%
Transverse mode	Near TEM ₀₀
M ² factor	<1.5
Beam Diameter at the aperture 1/e ² (mm)	<1.5
Beam divergence, full angle (mrad)	<1.5
Polarization ratio	>100:1, Vertical (Horizontal Optional)
Warm-up Time (minutes)	<5
Pointing stability after warm-up (mrad)	<0.05
Beam height from base plate (mm)	24.8
Operating temperature(°C)	10~35
Power supply (90-264VAC)	PSU-H-FDA-AOM
Modulation	1MHz
Expected lifetime (hours)	10000
Warranty	1 year

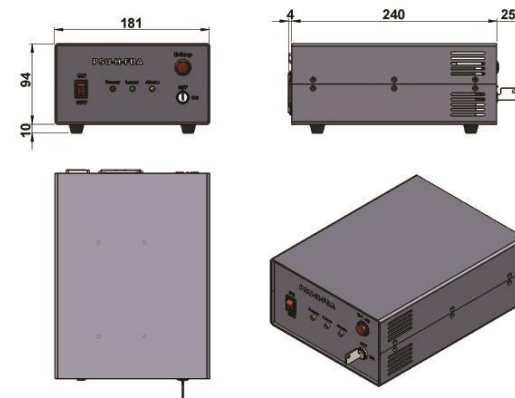


LASER HEAD



224(L)×98(W)×60(H) mm³, 1.9kg

POWER SUPPLY



269 (L) ×181(W) ×104(H) mm³, 2.7 kg