

MSII-N-655/532/1~500mW

Multi-wavelengths Laser System
AT 655&532nm

It can provide various kinds of colors, such as red, orange, green... They are widely used for scientific research, medical treatment, OEM field and multimedia entertainment.

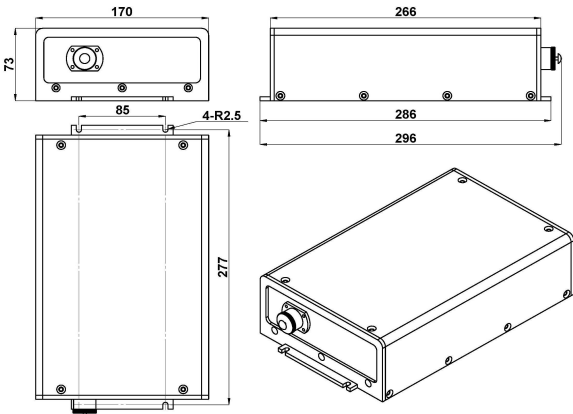
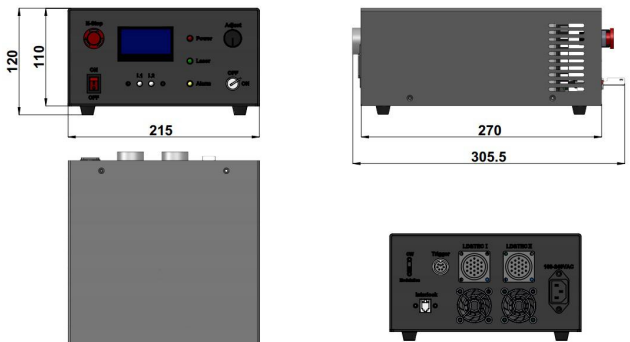


SPECIFICATIONS

Wavelength (nm)	Red at 655nm, Green at 532nm
Operating mode	CW
Total output power (mW)	>1, 100, 200, ..., 500
Power stability (rms, over 4 hours)	<2%, <3%, <5%
Transverse mode	Multimode /TEM ₀₀
Beam diameter at the aperture (mm)	<5×8
Beam divergence, full angle (mrad)	<3.0
Warm-up time (minutes)	<10
Operating temperature (°C)	10~35
Power supply (100-240VAC)	RGB-31
TTL / Analog modulation	TTL or Analog with 1Hz-1kHz 1kHz-10kHz, 10kHz-30kHz optional
Expected lifetime (hours)	10000
Warranty	1 year



Remark: 1. The combination of Red & Green laser can generate red, orange/yellow, green colors.
2. It is available if you use high power Red and Green laser modules made by CNI.

MSII-N-655/532	RGB-31
 <p>296(L)×170(W)×73(H) mm³, 4.2kg</p>	 <p>305.5 (L) ×215(W) ×120 (H) mm³, 5.0kg</p>