



MSII-W-405/589/1~100mW

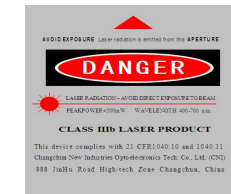
Multi-wavelengths Laser System  
AT 405&589nm

It can emit up to two wavelengths from one aperture and with separate power monitors for each wavelength. They are widely used for life sciences, fluorescence, spectral analysis, optogenetics.

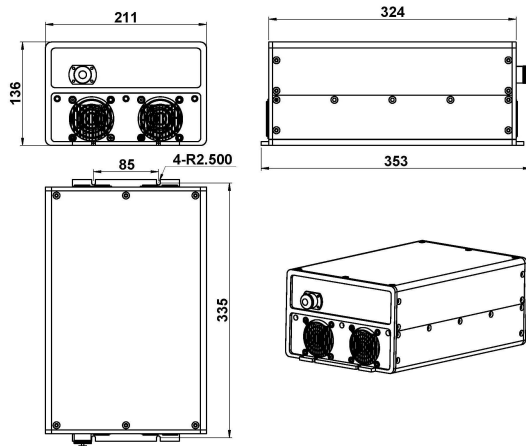


SPECIFICATIONS

Wavelength (nm)	Violet at 405nm ,Yellow at 589nm
Operating mode	CW
Total output power (mW)	>1, 10,20, ..., 100
Power stability (rms, over 4 hours)	<2%, <3%, <5%
Transverse mode	Near TEM <sub>00</sub> / TEM <sub>00</sub>
Beam diameter at the aperture (mm)	~2.5
Beam divergence, full angle (mrad)	<1.5
Warm-up time (minutes)	<10
Operating temperature (°C)	10~35
Power supply (100-240VAC)	RGB-31
TTL / Analog modulation	TTL or Analog with 1Hz-1kHz 1kHz-10kHz, 10kHz-30kHz optional
Expected lifetime (hours)	10000
Warranty	1 year

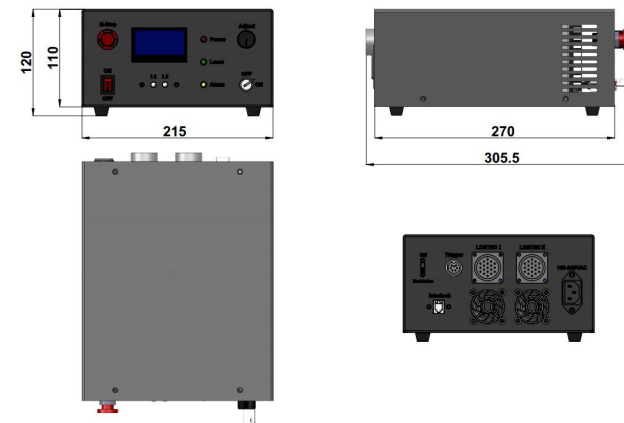


MSII-W-405/589



353(L) × 211(W) × 136(H) mm<sup>3</sup>, 13.0kg

RGB-31



305.5 (L) × 215(W) × 120 (H) mm<sup>3</sup>, 5.0kg