



MSL-DS-530/1~50mW

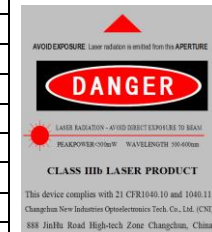
**SINGLE LONGITUDINAL MODE  
GREEN LASER AT 530 nm**

All solid state single longitudinal mode green laser at 530 nm is made features of ultra compact, small size, wide operating temperature, good sealing, long lifetime, low cost and easy operating, working under the pressure of 0.02kPa, which is used in DNA sequencing, flow cytometry, cell sorting, optical instrument, spectrum analysis, interference, measurement, holography, physics experiment, etc.

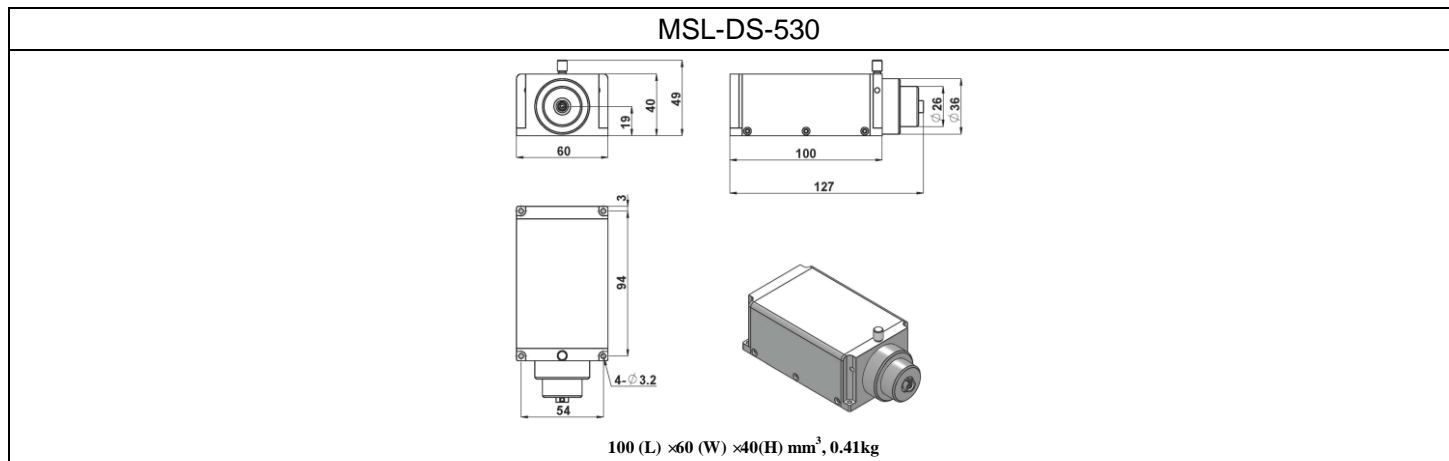


**SPECIFICATIONS**

Model	MSL-DS-530
Wavelength (nm)	530±1
Operating mode	CW
Output power (mW)	>1,5,10,20,...,50
Power stability (rms, over 4 hours)	<1%, <2%, <3%
Transverse mode	TEM <sub>00</sub>
Longitudinal mode	Single
Spectral linewidth (nm)	<0.00001
Coherent length (m)	>50
Noise of amplitude (rms, 20Hz~20MHz)	<0.5%
M <sup>2</sup> factor	<1.2(<1.1 optional)
Beam diameter at the aperture( 1/e <sup>2</sup> ,mm)	0.7±0.05
Beam divergence, full angle (mrad)	<1.5
Pointing stability after warm-up (mrad)	<0.05
Pointing stability Over Temp. (μrad/ °C)	<8
Warm-up time (minutes)	<5
Beam height from base plate (mm)	19
Shock Tolerance(6ms)	7g laterally,15g vertically
Power Supply	5V DC
Operating temperature (°C)	10-35
Modulation	Modulation isn't available.
Expected lifetime (hours)	10000
Warranty	1 year



MSL-DS-530



100 (L) ×60 (W) ×40(H) mm<sup>3</sup>, 0.41kg