

MSL-F series



SINGLE LONGITUDINAL MODE LASER

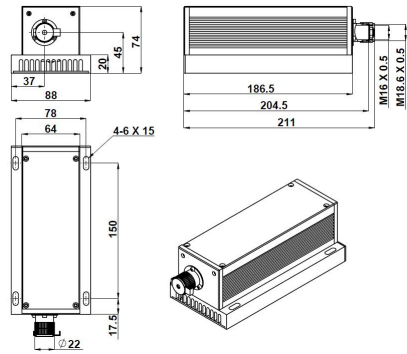
All solid state single longitudinal mode laser is made features of ultra compact, long lifetime, low cost and easy operating, which is used in DNA sequencing, flow cytometry, cell sorting, optical instrument, spectrum analysis, interference, measurement, holography, physics experiment, etc.



SPECIFICATIONS

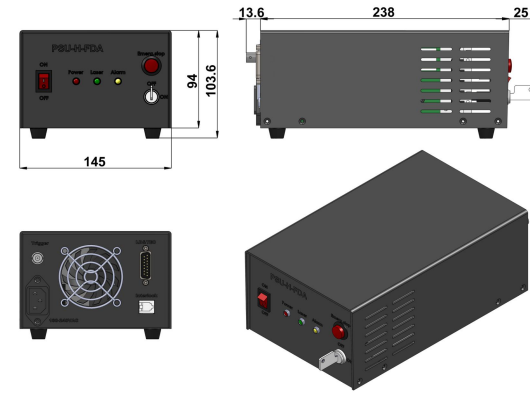
Wavelength (nm)	515±1	577±2	
Output power (mW)	1-20	1-200	200-300
Power stability (rms, over 4 hours)	<3%, <2%, <1%	<3%, <2%, <1%	
Transverse mode	TEM ₀₀		
Longitudinal mode	Single		
Operating mode	CW		
Spectral line width (nm)	<0.00001		
Coherent length (m)	>50		
Noise of amplitude (rms, 1Hz~20MHz)	<1%, <0.5%		
M ² factor	<1.5		
Beam diameter at the aperture (1/e ² , mm)	<3.0	<2.5	
Beam divergence, full angle (mrad)	<2.0	<1.5	
Polarization ratio	>100:1, Horizontal (Vertical Optional)		
Warm-up time (minutes)	<5		
Pointing stability after warm-up (mrad)	<0.05		
Beam height from base plate (mm)	45		
Operating temperature (°C)	10~35		
Power supply (90-264VAC)	PSU-H-FDA		
Expected lifetime (hours)	10000		
Warranty	1 year		

LASER HEAD



211 (L)×88(W) ×74(H) mm³, 1.6 kg

POWER SUPPLY



276.6(L) ×145(W) ×103.6(H) mm³, 2.3 kg