

MSL-F-515/1~20mW



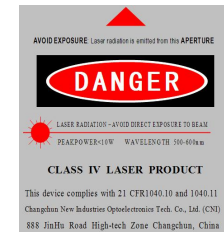
**SINGLE LONGITUDINAL MODE
GREEN LASER AT 515 nm**

All solid state 515 nm green laser is made features of ultra compact, long lifetime, cost -effectiveness and easy operating, which is widely used in scientific experiment, laser fluorescence, etc.

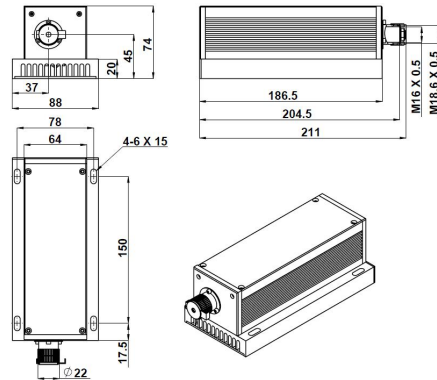


SPECIFICATIONS

Wavelength (nm)	515±1
Operating mode	CW
Output power (mW)	>1, 3, 5, ..., 20
Power stability (rms, over 4 hours)	<1%, <2%, <3%
Transverse mode	TEM ₀₀
Longitudinal mode	Single
Spectral linewidth (nm)	<0.00001
Coherent length (m)	>50
Noise of amplitude (rms, 1Hz~20MHz)	<1%
M ² factor	<1.5
Beam diameter at the aperture (1/e ² , mm)	<3
Beam divergence, full angle (mrad)	<2
Polarization ratio	>100:1, Vertical±5 degree (Horizontal Optional)
Warm-up time (minutes)	<10
Pointing stability after warm-up (mrad)	<0.05
Beam height from base plate (mm)	45
Operating temperature (°C)	15~35
Power supply (90-264VAC)	PSU-H-FDA
Expected lifetime (hours)	10000
Warranty	1 year

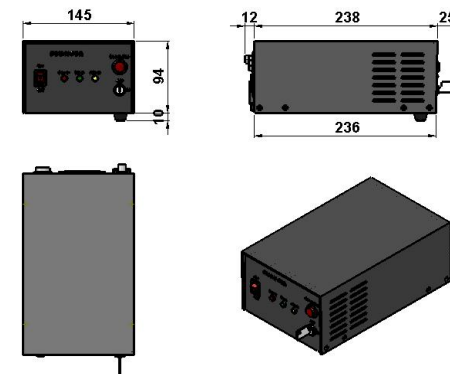


MSL-F-515



211(L)×88(W)×74(H) mm³, 1.6 kg

PSU-H-FDA



275(L) ×145(W) ×104(H) mm³, 2.3 kg