

MSL-W-457/350~2000mW

SINGLE LONGITUDINAL MODE BLUE LASER AT 457 nm

CNI's All solid state single longitudinal mode blue laser at 457nm features ultra compact, long lifetime, cost-effectiveness and easy operating, which is used in DNA sequencing, flow cytometry, cell sorting, optical instrument, spectrum analysis, interference, measurement, holography, physics experiment, etc

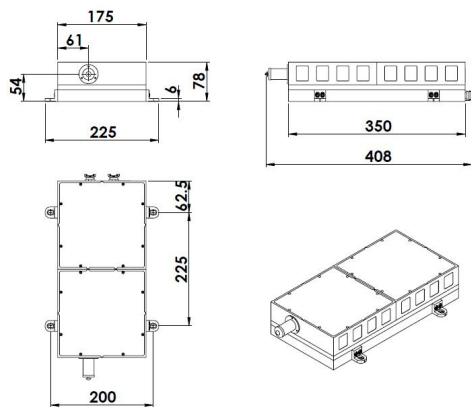


SPECIFICATIONS

Wavelength (nm)	457±1
Output power (mW)	>350,500, 600, ..., 2000
Transverse mode	TEM ₀₀
Operating mode	CW
Longitudinal mode Single	Single
Spectral linewidth (nm)	<0.00001
Power stability (rms, over 4 hours)	<3%, <5%
Noise of amplitude (rms, 20Hz~20MHz)	<1%
M ² factor	<1.5
Beam divergence, full angle (mrad)	<1.5
Beam diameter at the aperture (1/e ² ,mm)	<2.0
Pointing stability after warm-up (mrad)	<0.05
Polarization ratio	>100:1
Warm-up time (minutes)	<20
Beam height from base plate (mm)	54
Cooled method	Water cooled
Operating temperature (°C)	20~30
Power supply (90-264VAC)	PSU-W-FDA
Expected lifetime (hours)	10000
Warranty period	1 year

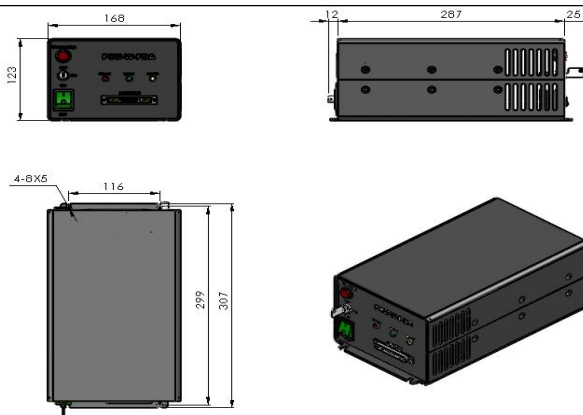


MSL-W-457



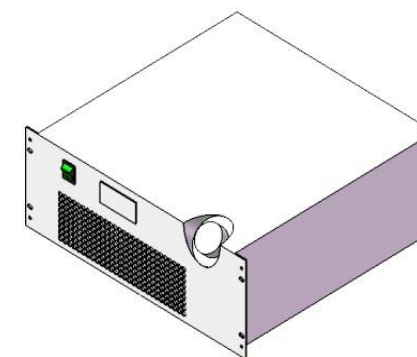
408(L)×225(W)×78(H) mm³, 5.7kg

PSU-W-FDA



307(L)×168(W)×123(H) mm³, 4.5 kg

Water Chiller



482(L)×432(W)×178(H) mm³, 18 kg