

Mini-E-PA-1064/4W/200uJ



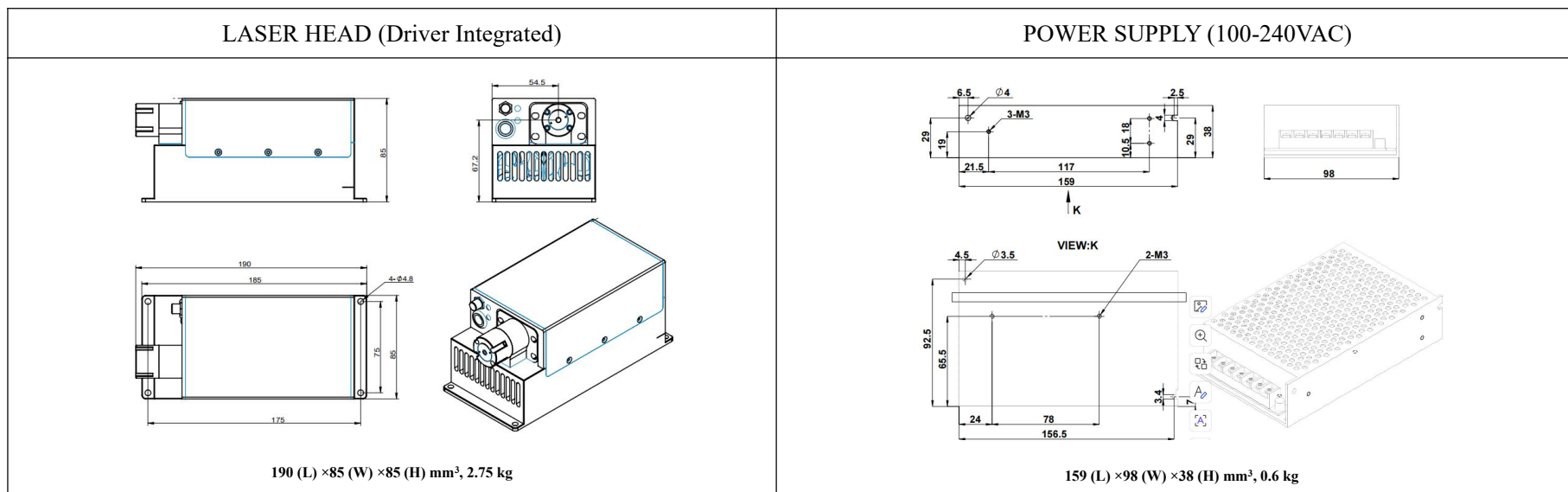
**Mini-E SERIES 1064nm LASER
SOURCE FOR LASER
MARKING**

Mini-E-1064nm series laser has the features of high peak power, high repetition rate, and short pulse duration, which is used in scientific research, biology, instrumentation, 3D marking, laser marking, sub-surface engraving and so on.



SPECIFICATIONS

Wavelength (nm)	1064±1
Operating mode	Passively
Average power (W)	≥4
Single pulse energy (μJ)	>200
Rep. rate ¹	10-20kHz
Pulse duration (ns) ²	~5
Peak power (kW)	~40
Power stability (rms, 4 hours ± 3°C)	<2%, <1%
Transverse mode	TEM ₀₀
Beam divergence, full angle (mrad)	<3.5
Beam diameter at the aperture (mm)	~3.5
M ²	<1.2
Beam height from base plate (mm)	67.2
Warm-up time (minutes)	<15
Cooled method	Air cooled
Operating temperature (°C)	10-35
Operating voltage (VDC)	12V/12.5A
Expected lifetime (hours)	>10000



1 One fixed value between 10kHz-20kHz. 2 Fixed Pulse width.