



MxL-DP-xxx-A series

LD PUMPED ALL-SOLID-STATE RED LASER

All solid state red laser is made features of ultra compact, long lifetime, low cost and easy operating, which is widely used in measurement, spectrum analysis, and laser lighting show etc.



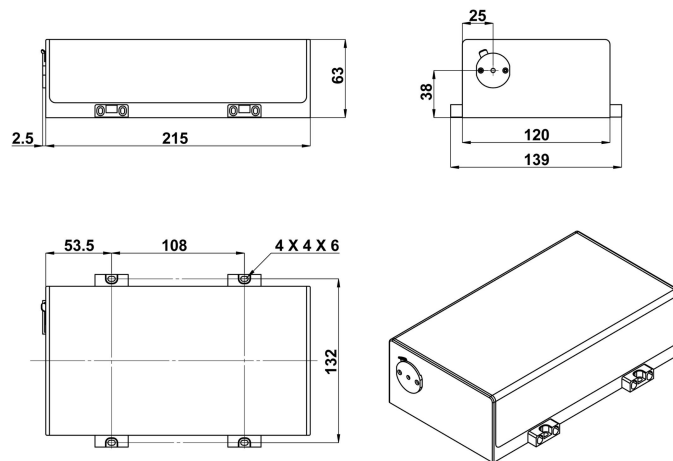
SPECIFICATIONS

Part number	MRL-DP-639-A	MRL-DP-721-A
Wavelength (nm)	639±1	721±1
Operating mode	CW	
Output power (mW)	1500-3000	1200-2500
Power stability (rms, over 4 hours)	<3%, <2%, <1%	
Transverse mode	TEM <sub>00</sub>	
M <sup>2</sup> factor	<1.5	
Beam diameter at the aperture (1/e <sup>2</sup> , mm)	<2.0	
Beam divergence, full angle (mrad)	<1.2	
Warm-up time (minutes)	<10	
Beam height from base plate (mm)	38	
Cooled method	Fan Cooled	
Operating temperature (°C)	10~35	
Power supply (90-264VAC)	PSU-SEP-W	
Expected lifetime (hours)	10000	
Warranty	1 year	

Note: The laser head needs to be used on a heat sink with good heat dissipation.

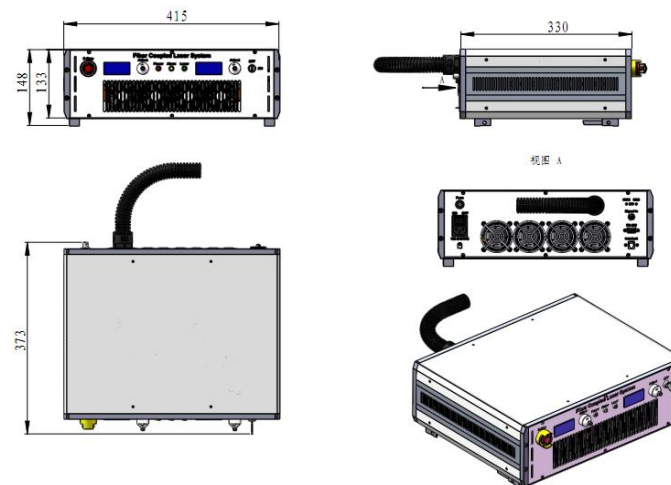


LASER HEAD



217.5(L)×139(W)×63(H) mm<sup>3</sup>

POWER SUPPLY



373(L) ×415(W) ×148(H) mm<sup>3</sup>