



MxL-DP-xxx-B series

LD PUMPED ALL-SOLID-STATE LASER

All solid state laser is made features of ultra compact, long lifetime, low cost and easy operating, which is widely used in measurement, spectrum analysis, and laser lighting show etc.



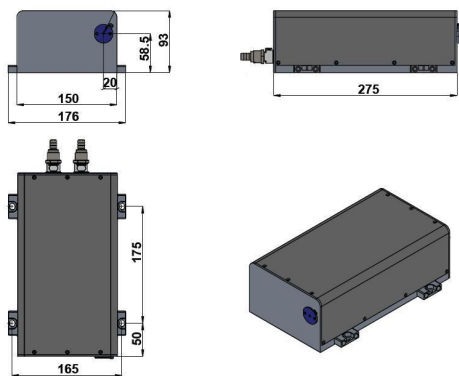
SPECIFICATIONS

Part number	MRL-DP-639-B		MRL-DP-670-B		MRL-DP-698-B		MRL-DP-721-B	
Central wavelength (nm)	639±1		670±1		698±1		721±1	
Operating mode	CW							
Output power (mW)	3000-8000	8000-10000	500-3000	3000-5000	1200-5000	5000-7000	2500-6000	6000-8000
Power stability (rms, over 4 hours)	<3%, <2%, <1%							
Transverse mode	TEM ₀₀	Multi mode	TEM ₀₀	Multi mode	TEM ₀₀	Multi mode	TEM ₀₀	Multi mode
M ² factor	<1.5	/	<1.5	/	<1.5	/	<1.5	/
Beam diameter at the aperture (1/e ² , mm)	<1.0	<1.0	<1.0	<1.0	<1.0	<1.0	<1.0	<1.0
Beam divergence, full angle (mrad)	<1.0	<1.0	<1.0	<1.0	<1.0	<1.0	<1.0	<1.0
Warm-up time (minutes)	<10							
Polarization Ratio	>100:1, Vertical (Horizontal Optional)							
Beam height from base plate (mm)	58.5							
Cooled method (Water Cooled)	WCH-580							
Operating temperature (°C)	10~35							
Power supply	12V DC (Photoelectric integrated)							
Warranty	1 year							

Note: The laser head must be used on a water cooling system.



LASER HEAD



275(L)×176(W)×93(H) mm³

Water Chiller(WCH-580)



345 (L) ×248 (W) ×215(H) mm³, 10.5 kg