



MxL-FN-xxx-AOM series

HIGH FREQUENCY MODULATED ALL-SOLID-STATE LASER

The modulation frequency of high frequency modulation laser system is up to 1MHz. It can be used in the field like laser graphic processing, laser digital communications, etc. It have the feature of high extinction ratio, coding easily, usability, etc

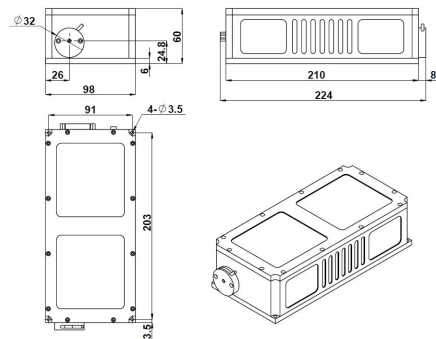


SPECIFICATIONS

Part number	MBL-FN-473-AOM	MGL-FN-532-AOM	MGL-FN-556-AOM	MGL-FN-561-AOM	MRL-FN-671-AOM
Wavelength (nm)	473±1	532±1	556±1	561±1	671±1
Output power (mW)	50-150	150-1000	1-100	1-100	100-300
Power Stability (rms,over 4 hours)	<5%, <3%, <1%				
Transverse mode	Near TEM ₀₀				
M ² factor	<1.5				
Beam Diameter at the aperture 1/e ² (mm)	<1.0	~3.0			
Beam divergence, full angle (mrad)	<1.5				
Polarization ratio	>100:1 (Horizontal or Vertical Optional)				
Warm-up Time (minutes)	<5				
Pointing stability after warm-up (mrad)	<0.05				
Beam height from base plate (mm)	24.8				
Operating temperature(°C)	10~35				
Power supply (90-264VAC)	PSU-H-FDA-AOM				
Modulation	1MHz				
Expected lifetime (hours)	10000				
Warranty	1 year				

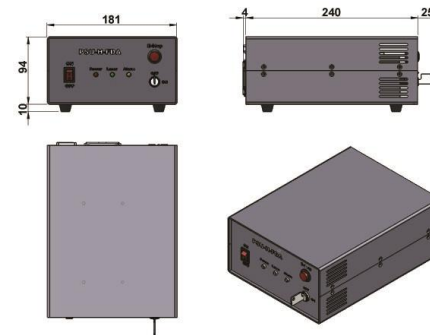


LASER HEAD



224(L)×98(W)×60(H) mm³, 1.9kg

POWER SUPPLY



269 (L) ×181(W) ×104(H) mm³, 2.7 kg