

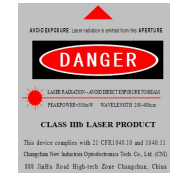


MxL-H series



LD PUMPED ALL-SOLID-STATE LASER

All solid state infrared laser is made features of ultra compact, long lifetime, low cost and easy operating, which is used in scientific experiment, optical instrument, optical sensor, measurement, communication, spectrum analysis, etc.



SPECIFICATIONS

Part number	MBL-H-491	MIL-H-912	MIL-H-914	MIL-H-946
Wavelength (nm)	491±1	912±1	914±1	946±1
Operating mode	CW			
Output power (mW)	1-2	1-800	1-800	1-800
Power stability (rms, over 4 hours)	<10%	<5%, <3%, <2%	<3%, <2%, <1%	
Transverse mode	Near TEM ₀₀		TEM ₀₀	
M ² factor	<1.2	<1.5	<2.0	
Beam diameter at the aperture (1/e ² , mm)	~1.5	~1.2		
Beam divergence, full angle (mrad)	<1.5	<2.0		
Polarization Ratio	>100:1, (Horizontal or Vertical Optional)			
Warm-up time (minutes)	<5			
Pointing stability after warm-up (mrad)	<0.05			
Beam height from base plate (mm)	29			
Operating Temperature (°C)	10~35			
Power supply (90-264VAC)	PSU-H-LED/PSU-H-FDA/PSU-H-OEM			
Modulation option	/			
Expected lifetime (hours)	10000			
Warranty	1 year			



SPECIFICATIONS

Part number	MIL-H-1040	MIL-H-1047	MIL-H-1053	MIL-H-1064
Wavelength (nm)	1040±1	1047±1	1053±1	1064±1
Operating mode	CW			
Output power (mW)	1-100	1-1000	1-1500	1500-3000
Power stability (rms, over 4 hours)	<5%, <3%, <2%	<3%, <2%, <1%		
Transverse mode	TEM ₀₀			
M ² factor	<2.0			
Beam diameter at the aperture (1/e ² , mm)	~1.2			
Beam divergence, full angle (mrad)	<2.0			
Polarization Ratio	>100:1, (Horizontal or Vertical Optional)			
Warm-up time (minutes)	<5			
Pointing stability after warm-up (mrad)	<0.05			
Beam height from base plate (mm)	29			
Operating Temperature (°C)	10~35			
Power supply (90-264VAC)	PSU-H-LED/PSU-H-FDA/PSU-H-OEM			
Modulation option	TTL on/off, 1Hz-1kHz, 1kHz-10kHz, 10kHz-30kHz, and Analog modulation option			
Expected lifetime (hours)	10000			
Warranty	1 year			



SPECIFICATIONS

Part number	MIL-H-1112		MIL-H-1122		MIL-H-1177		MIL-H-1313	
Wavelength (nm)	1112±3		1122±3		1177±2		1313±1	
Operating mode	CW							
Output power (mW)	1-300	300-500	1-500	500-1000	1-400	1-800	800-1000	
Power stability (rms, over 4 hours)	<3%, <2%, <1%	<5%, <3%, <2%	<5%, <3%, <2%		<3%, <2%, <1%		<5%, <3%, <2%	
Transverse mode	TEM ₀₀							
M ² factor	<2.0							
Beam diameter at the aperture (1/e ² , mm)	~1.2							
Beam divergence, full angle (mrad)	<2.0							
Polarization Ratio	>100:1, (Horizontal or Vertical Optional)		/		>100:1, (Horizontal or Vertical Optional)			
Warm-up time (minutes)	<5							
Pointing stability after warm-up (mrad)	<0.05							
Beam height from base plate (mm)	29							
Operating Temperature (°C)	10~35							
Power supply (90-264VAC)	PSU-H-LED/PSU-H-FDA/PSU-H-OEM							
Modulation option	TTL on/off, 1Hz-1kHz, 1kHz-10kHz, 10kHz-30kHz, and Analog modulation option							
Expected lifetime (hours)	10000							
Warranty	1 year							



SPECIFICATIONS

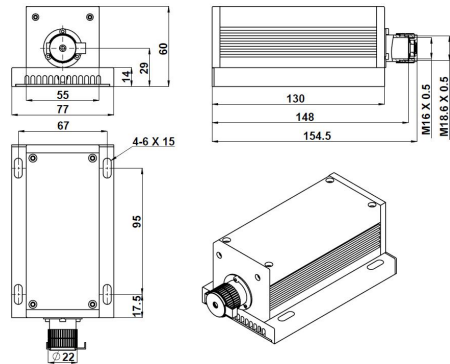
Part number	MIL-H-1319	MIL-H-1335	MIL-H-1338	MIL-H-1342
Wavelength (nm)	1319±1	1335±1	1338±1	1342±1
Operating mode	CW			
Output power (mW)	1200-1500	1-500	1-500	1-2000
Power stability (rms, over 4 hours)	<5%,<3%,<2%	<5%,<3%,<2%	<5%,<3%,<2%	<3%,<2%,<1%
Transverse mode	TEM ₀₀			
M ² factor	<2.0			
Beam diameter at the aperture (1/e ² , mm)	~1.5			
Beam divergence, full angle (mrad)	<2.0			
Polarization Ratio	>100:1, (Horizontal or Vertical Optional)			
Warm-up time (minutes)	<5			
Pointing stability after warm-up (mrad)	<0.05			
Beam height from base plate (mm)	29			
Operating Temperature (°C)	10~35			
Power supply (90-264VAC)	PSU-H-LED/PSU-H-FDA/PSU-H-OEM			
Modulation option	TTL on/off, 1Hz-1kHz, 1kHz-10kHz, 10kHz-30kHz, and Analog modulation option			
Expected lifetime (hours)	10000			
Warranty	1 year			



SPECIFICATIONS

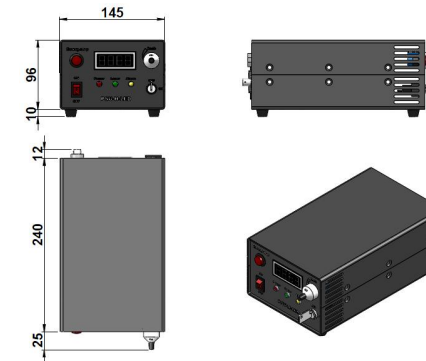
Part number	MIL-H-1413
Wavelength (nm)	1413±1
Operating mode	CW
Output power (mW)	1-300
Power stability (rms, over 4 hours)	<10%, <5%, <3%
Transverse mode	TEM ₀₀
M ² factor	<2.0
Beam diameter at the aperture (1/e ² , mm)	~1.5
Beam divergence, full angle (mrad)	<2.0
Polarization Ratio	>100:1, (Horizontal or Vertical Optional)
Warm-up time (minutes)	<5
Pointing stability after warm-up (mrad)	<0.05
Beam height from base plate (mm)	29
Operating Temperature (°C)	10~35
Power supply (90-264VAC)	PSU-H-LED/PSU-H-FDA/PSU-H-OEM
Modulation option	TTL on/off, 1Hz-1kHz, 1kHz-10kHz, 10kHz-30kHz, and Analog modulation option
Expected lifetime (hours)	10000
Warranty	1 year

LASER HEAD



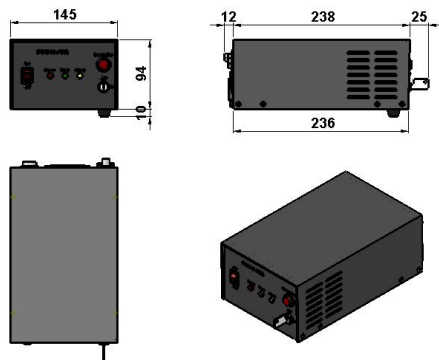
154.5(L)×77(W)×60(H) mm³, 0.9 kg

POWER SUPPLY (PSU-H-LED)



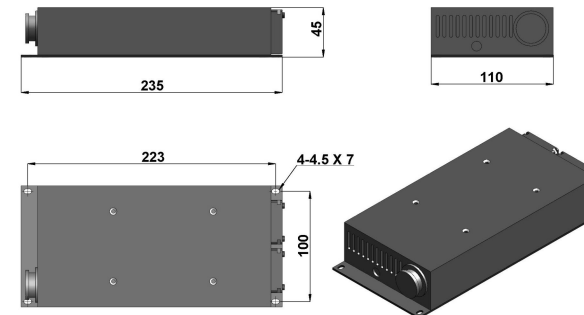
277 (L) ×145(W) ×106 (H) mm³, 2.6 kg

POWER SUPPLY (PSU-H-FDA)



275(L) ×145(W) ×104(H) mm³, 2.3 kg

POWER SUPPLY (PSU-H-OEM)



235(L) ×110(W) ×45(H) mm³, 1.1kg