



MxL-III-xxx-AOM series

HIGH FREQUENCY MODULATED ALL-SOLID-STATE LASER

High frequency modulated laser system has such characteristics as quick modulation rate, high extinction ratio, easy coding and convenient use. Laser modulation frequency of this laser system can be up to 1MHz, It is mainly used in such fields as laser text-image processing, laser lithography, laser phototypesetting, and laser digital communication. It is suitable for OEM system integration and scientific research laboratories etc.

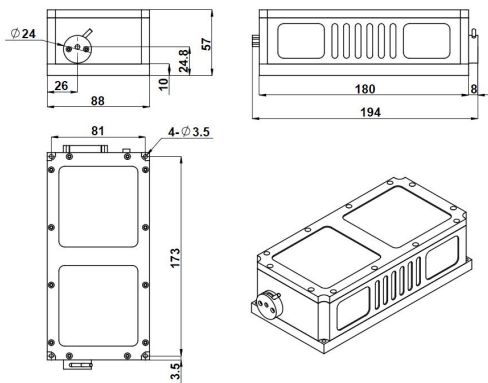


SPECIFICATIONS

Part number	MBL-III-473-AOM	MGL-III-532-AOM	MRL-III-671-AOM
Wavelength (nm)	473±1	532±1	671±1
Output power (mW)	1-50	1-150	1-100
Power Stability (rms,over 4 hours)	<5%, <3%, <1%		
Transverse mode	Near TEM ₀₀		
M ² factor	<1.5		
Beam Diameter at the aperture at the aperture 1/e ² (mm)	<1.0	~3.0	
Beam divergence, full angle (mrad)	<1.5		
Polarization ratio	> 100:1		
Warm-up Time (minutes)	<10		
Pointing stability after warm-up (mrad)	<0.05		
Beam height from base plate (mm)	24.8		
Operating temperature(°C)	10-35		
Power supply (90-264VAC)	PSU-III-FDA-AOM		
Modulation	1MHz		
Expected lifetime (hours)	10000		
Warranty	1 year		

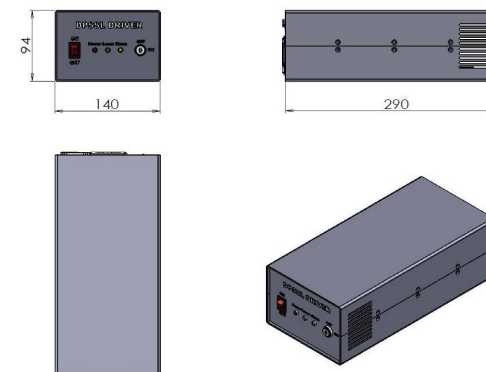


LASER HEAD



194(L)×88(W)×57(H) mm³, 1.6kg

POWER SUPPLY



290 (L) ×140(W) ×94 (H) mm³, 2.3 kg