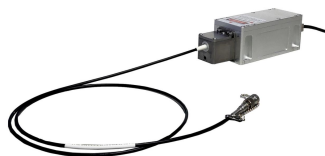




MxL-S-xxx-SM Series



SM FIBER OUTPUT LASER

CNI has a long experience in the delivery of fiber coupled laser light sources providing high efficiency and long term stability. All laser types can be offered with appropriate fiber coupling systems. This type is specifically designed for single-mode fiber(include PM) coupling with high power stability and long term stability.



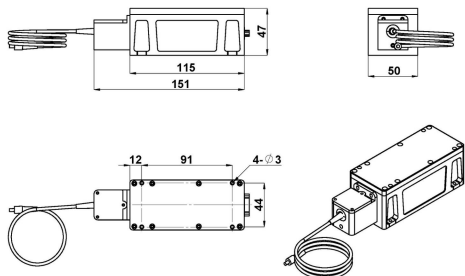
SPECIFICATIONS

Part number	MBL-S-473-SM	MGL-S-532-SM	MGL-S-589-SM	MRL-S-671-SM	MIL-S-1064-SM
Wavelength (nm)	473±1	532±1	589±1	671±1	1064±1
Operating mode	CW				
Output power (mW)	1-50	1-150	1-20	1-100	1-500
Power stability (rms, over 4 hours)	<5%, <3%, <2%	<5%, <3%, <2%, <1%	<5%, <3%	<5%, <3%, <2%	
Transverse mode	TEM <sub>00</sub> (single mode fiber output)				
Fiber numerical aperture	0.10~0.12				
Fiber type	SM fiber (PM fiber optional)				
Fiber connector	FC				
Fiber jacket	PVC (black)				
Polarization ratio	No polarization (>50:1 after PM fiber )				
Warm-up time (minutes)	<10				
Operating temperature (°C)	10~35				
Power supply (90-264VAC or 5VDC)	PSU-III-LED/ PSU-III-FDA/ PSU-III-OEM-97				
Modulation option	TTL on/off, 1Hz-1KHz, 1KHz-10KHz, 10KHz-30KHz; and Analog modulation option				
Expected lifetime (hours)	10000				
Warranty	1 year				

Note: The laser head needs to be used on a heat sink with good heat dissipation.

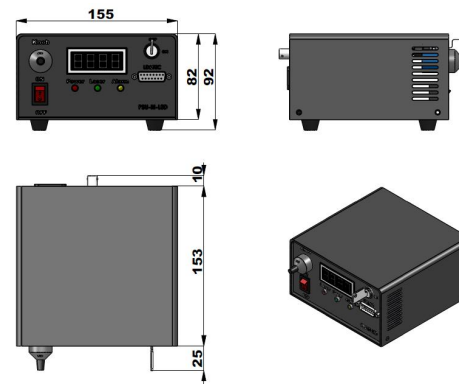


LASER HEAD



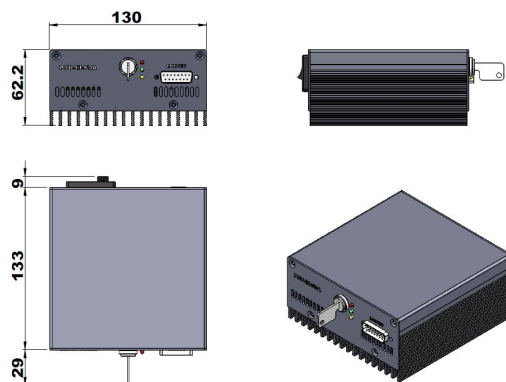
151 (L) × 50 (W) × 47 (H) mm<sup>3</sup>, 0.7kg

POWER SUPPLY (PSU-III-LED)



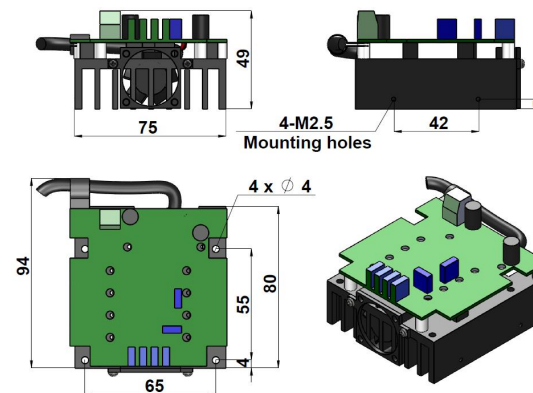
188(L) × 155(W) × 92 (H) mm<sup>3</sup>, 1.5kg

POWER SUPPLY (PSU-III-FDA)



171 (L) × 130(W) × 62.2 (H) mm<sup>3</sup>, 1.2kg

POWER SUPPLY (PSU-III-OEM-97)



94(L) × 75(W) × 49(H) mm<sup>3</sup>, 0.23kg