



OEM-BD-455 40-50W

**BLUE DIODE LASER**  
At 455nm

OEM diode blue laser at 455nm is made features of ultra compact, long lifetime, low cost and easy operating, which is widely used in measurement, spectrum analysis, laser lighting show, etc.

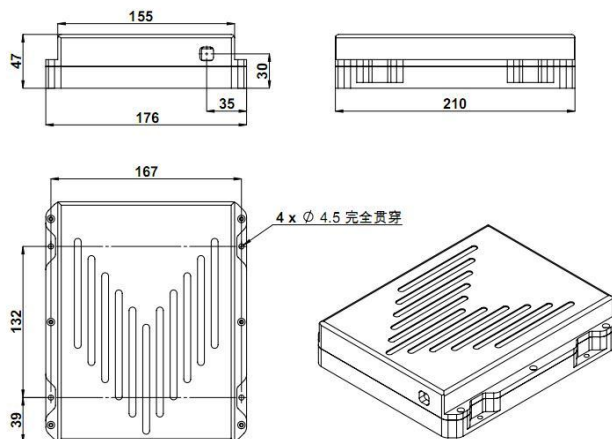


SPECIFICATIONS

Wavelength (nm)	455±5
Output power (W)	~40-50
Beam diameter at the aperture (mm)	8.5×7
Beam divergence, full angle (mrad)	~1.2
Power stability (rms, over 4 hours)	<1%, <3%, <5%
Polarization direction	Horizontal+ Vertical
Warm-up time (minutes)	<5
Beam height from base plate (mm)	30
Operating temperature (°C)	25+/-3
Power supply (90-264VACor12V20A,12V30A&24V15A)	PSU-PN7-OEM-H
Modulation option	TTL/Analog 1Hz-5KHz, 1Hz-10KHz, 1Hz-100KHz, and TTL on/off
Expected lifetime (hours)	10000
Warranty	1 year



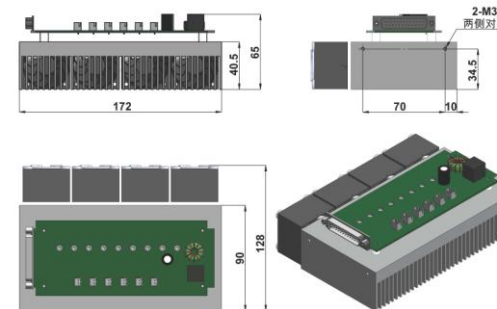
Dimensions of Laser head



OEM-BD-455

210(L)×176(W)×47(H)mm<sup>3</sup>

Power Supply



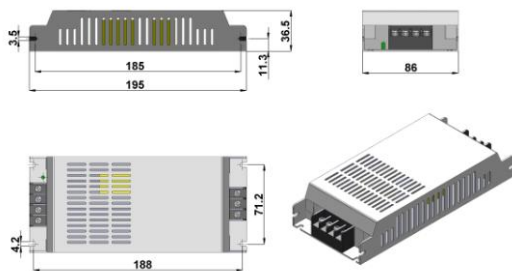
PSU-PN7-OEM-H

172(L)×128(W)×65(H)mm<sup>3</sup>



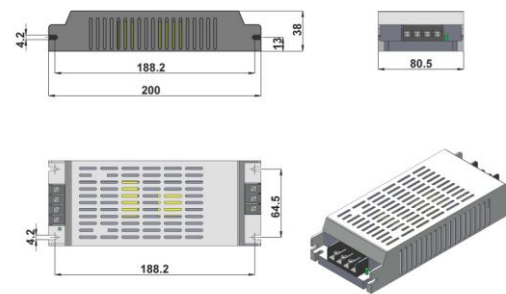
Power Supply

Adapter



12V30A

195(L)×86(W)×36.5(H)mm<sup>3</sup>



24V15A

200(L)×80.5(W)×38(H)mm<sup>3</sup>