



OEM-BD-455 31-40W

BLUE DIODE LASER
At 455nm

OEM diode blue laser at 455nm is made features of ultra compact, long lifetime, low cost and easy operating, which is widely used in measurement, spectrum analysis, laser lighting show, etc.

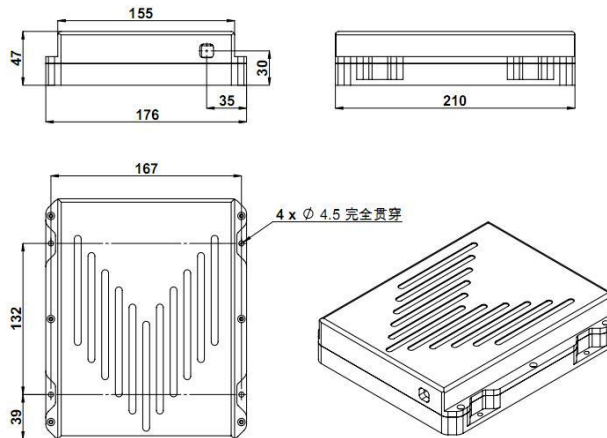


SPECIFICATIONS

Wavelength (nm)	455±5	
Output power (W)	~31-40	
Beam diameter at the aperture (mm)	8.5×7	
Beam divergence, full angle (mrad)	~1.2	
Power stability (rms, over 4 hours)	<1%, <3%, <5%	
Polarization direction	Horizontal+ Vertical	
Warm-up time (minutes)	<5	
Beam height from base plate (mm)	30	93.5
Operating temperature (°C)	25+/-3	
Power supply (90-264VACor12V20A,12V30A&24V15A)	PSU-PN7-OEM	PSU-PN7-OEM-H
Modulation option	TTL/Analog 1Hz-5KHz, 1Hz-10KHz, 1Hz-100KHz, and TTL on/off	
Expected lifetime (hours)	10000	
Warranty	1 year	



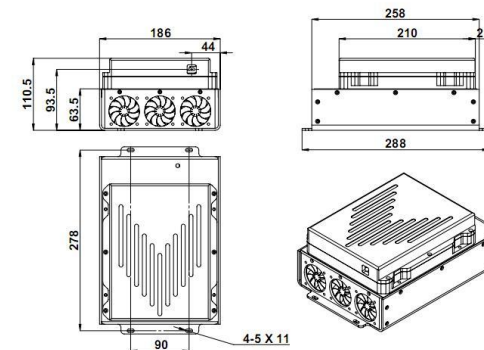
Dimensions of Laser head



OEM-BD-455

210(L)×176(W)×47(H)mm³

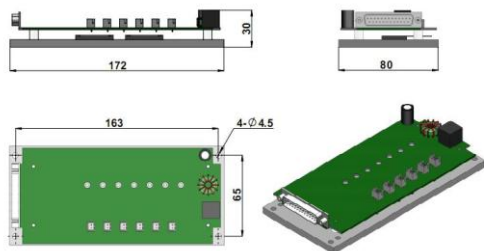
Dimensions of Laser head



BD-455-HS

288(L)×186(W)×110.5(H)mm³

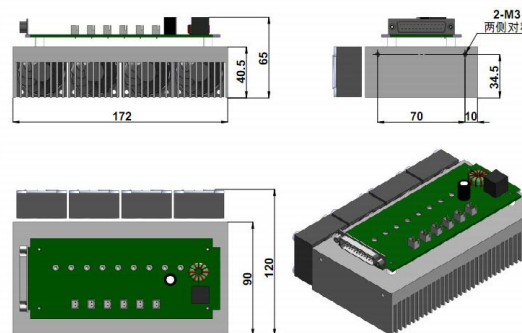
Power Supply



PSU-PN7T-OEM

172(L)×80(W)×30(H)mm³

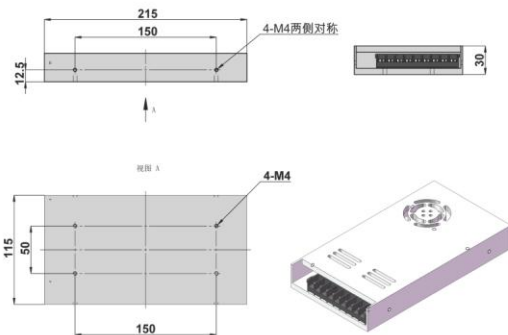
Power Supply



PSU-PN7T-OEM-H

172(L)×120(W)×65(H)mm³

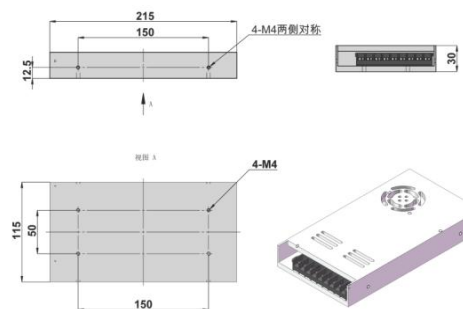
Adapter



24V15A

215(L)×115(W)×30(H)mm³

Adapter



24V15A

215(L)×115(W)×30(H)mm³