

OEM-D-447/4-8W

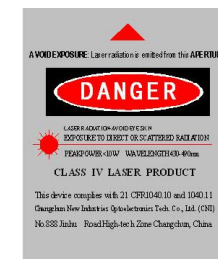
OEM BLUE DIODE LASER AT 450nm

OEM diode laser 450 nm blue laser is made features of ultra compact, long lifetime, low cost and easy operating. It's easy to be installed in customer's equipment.

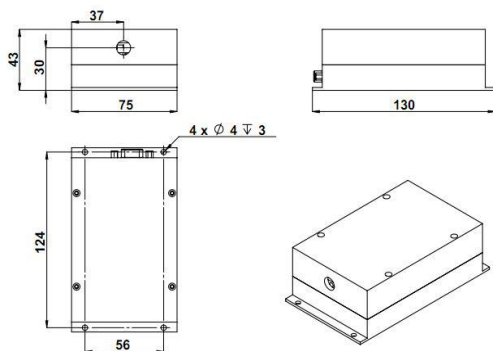


SPECIFICATIONS

Wavelength (nm)	447±10		
Operating mode	CW		
Output power (W)	>4	>5, >6	>7, >8
Power stability (rms, over 4 hours)	<1%, <3%, <5%		
Beam diameter at the aperture (mm)	~3.2×3.2	~4.2×4	~4.2×4.2
Beam divergence, full angle (mrad)	1.4×0.2	<1.4×0.2	<1.4×0.2
Polarization direction	Horizontal+ Vertical		
Warm-up time (minutes)	<5		
Beam height from base plate (mm)	30 (OEM-D-447)	68.2 (D-447-HS)	
Operating temperature (°C)	25+/-3 (OEM-D-447)	10-35 (D-447-HS)	
Power supply (90-264VAC)	PSU-6R-OEM/ PSU-6R-OEM-H		
Modulation option	TTL/Analog 1Hz-5KHz, 1Hz-10KHz, 1Hz-100KHz, and TTL on/off		
Expected lifetime (hours)	10000		
Warranty	1 year		

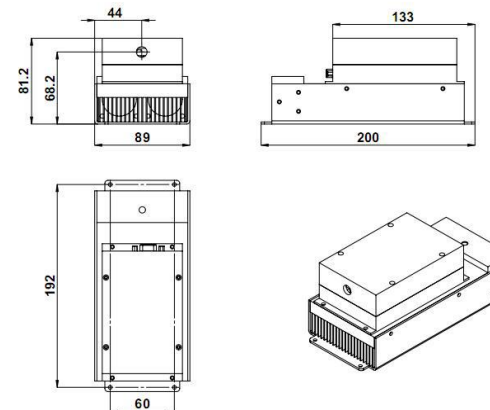


Dimensions of Laser Head



OEM-D-447

130(L)×75(W)×43(H)mm³, 1.0kg



D-447-HS

200(L)×89(W)×81.2(H)mm³, 2.2kg

Power Supply		Adapter
<p style="text-align: center;">PSU-6R-OEM 110(L)×62(W) ×31(H) mm³, 0.3kg</p>	<p style="text-align: center;">PSU-6R-OEM-H 108(L)×83(W) ×66(H) mm³, 0.6 kg</p>	<p style="text-align: center;">12V8.3A 107(L)×65(W) ×37(H) mm³, 0.5 kg</p>